

MODEL : MO-3900 SUBCLASSES (超ハイリフト仕様)

List No : 0851-05

PARTS LIST

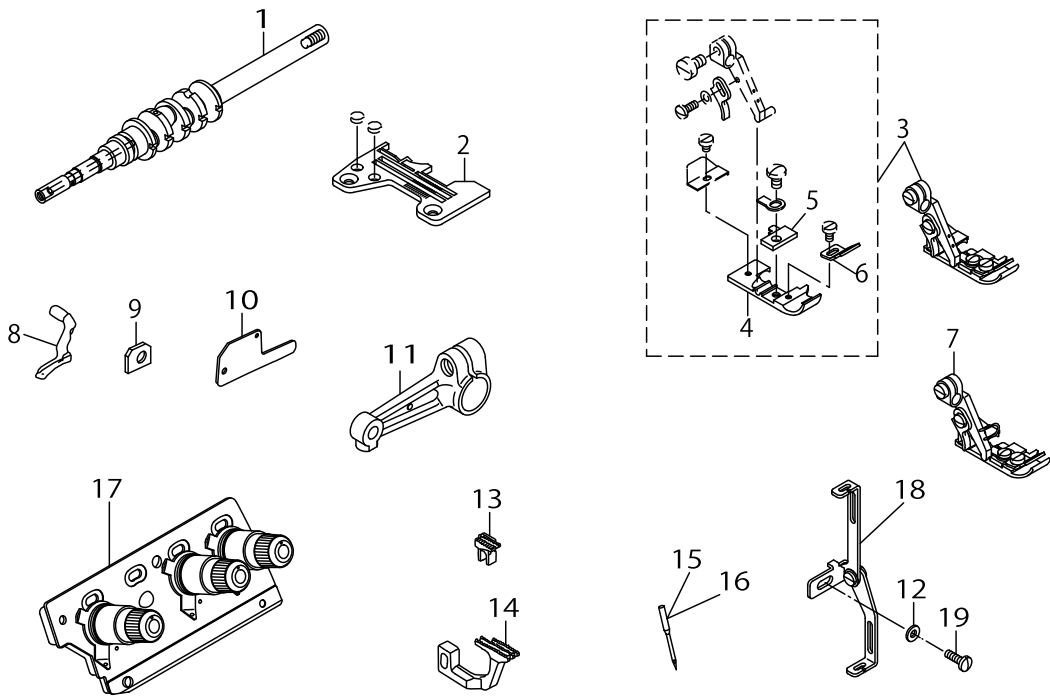
Published:09/10/2017

CONTENTS

MO-3900 SUBCLASSES (1).....	1
MO-3900 SUBCLASSES (2).....	3
MO-3900 SUBCLASSES (3).....	5
MO-3900 SUBCLASSES (4).....	7
MO-3900 SUBCLASSES (5).....	9
MO-3900 SUBCLASSES (6).....	11
MO-3900 SUBCLASSES (7).....	13
MO-3900 SUBCLASSES (8).....	15
MO-3900 SUBCLASSES (9).....	17
MO-3900 SUBCLASSES (10).....	19
MO-3900 SUBCLASSES (11).....	21
MO-3900 SUBCLASSES (12).....	23
MO-3900 SUBCLASSES (13).....	25
MO-3900 SUBCLASSES (14).....	27
MO-3900 SUBCLASSES (15).....	29
MO-3900 SUBCLASSES (16).....	31
MO-3900 SUBCLASSES (17).....	33
MO-3900 SUBCLASSES (18).....	35
MO-3900 SUBCLASSES (19).....	37
MO-3900 SUBCLASSES (20).....	39
MO-3900 SUBCLASSES (21).....	41
MO-3900 SUBCLASSES (22).....	43
MO-3900 SUBCLASSES (23).....	45
LIST FOR INFORMATION OF CHANGE.....	47
HOW TO MAKE USE OF THIS PARTS LIST	48

MO-3900 SUBCLASSES (1)

MO-3904-0F6-44H/G40/Q141

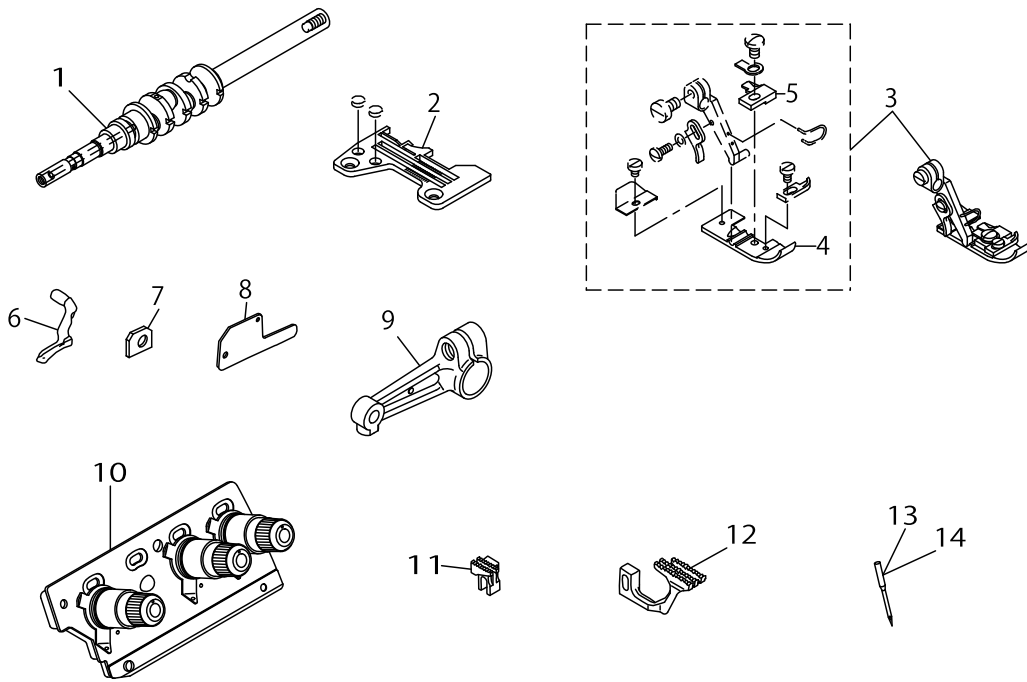


MO-3900 SUBCLASSES (1)

No.	Parts No.	Parts name	Remarks	Level	Cons	Qty
1	12107207	CRANKSHAFT				1
2	R4300J0FE00	THROAT PLATE				1
3	12151353	TAPE PRESSER ASM.				1
4	12158002	PRESSER FOOT		*		1
5	B1509804C0B	STITCH TONGUE		*		1
6	12160909	TAPE GUIDE		*		1
7	12151361	PRESSER FOOT ASM.	FOR EXPORT			1
8	11991908	UPPER LOOPER				1
9	11991809	GAUGE				1
10	11991601	UPPER LOOPER GUIDE COVER				1
11	12122800	UPPER LOOPER ARM B				1
12	WP0371016SD	WASHER 3.7X8X1				1
13	11949807	MAIN FEED DOG				1
14	11949906	DIFFERENTIAL FEED DOG				1
15	MDC270B1400	NEEDLE DCX27 #14				1
16	MC033600900	NEEDLE B-27 NM90	FOR JE			1
17	12180469	THREAD GUIDE PLATE ASM.				1
18	MAQ141000A0	TAPE GUIDE ASM.				1
19	SS7091110TP	SCREW 9/64-40 L=10.5				1

MO-3900 SUBCLASSES (2)

MO-3904E-0H-50H

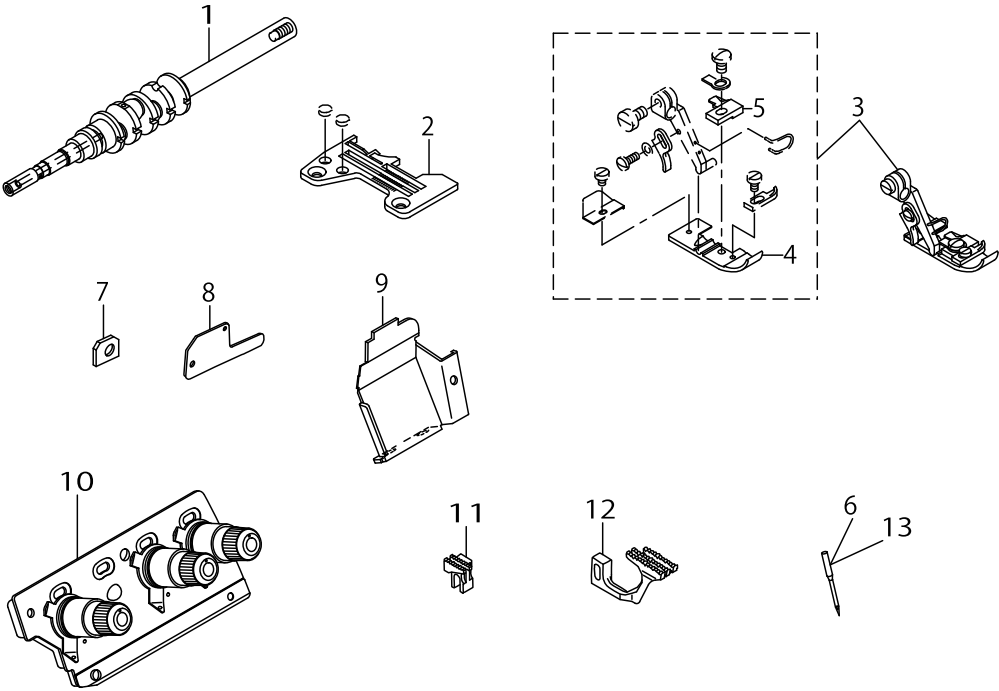


MO-3900 SUBCLASSES (2)

No.	Parts No.	Parts name	Remarks	Level	Cons	Qty
1	12107207	CRANKSHAFT				1
2	R4300JOHE00	THROAT PLATE				1
3	12151262	PRESSER FOOT ASM.				1
4	12157806	PRESSER FOOT		*		1
5	12159307	STITCH TONGUE		*		1
6	11991908	UPPER LOOPER				1
7	11991809	GAUGE				1
8	11991601	UPPER LOOPER GUIDE COVER				1
9	12122800	UPPER LOOPER ARM B				1
10	12180469	THREAD GUIDE PLATE ASM.				1
11	11883303	MAIN FEED DOG				1
12	12171708	DIFFERENTIAL FEED DOG				1
13	MDC270B1400	NEEDLE DCX27 #14				1
14	MC033600900	NEEDLE B-27 NM90	FOR JE			1

MO-3900 SUBCLASSES (3)

MO-3904E-0K6-50H

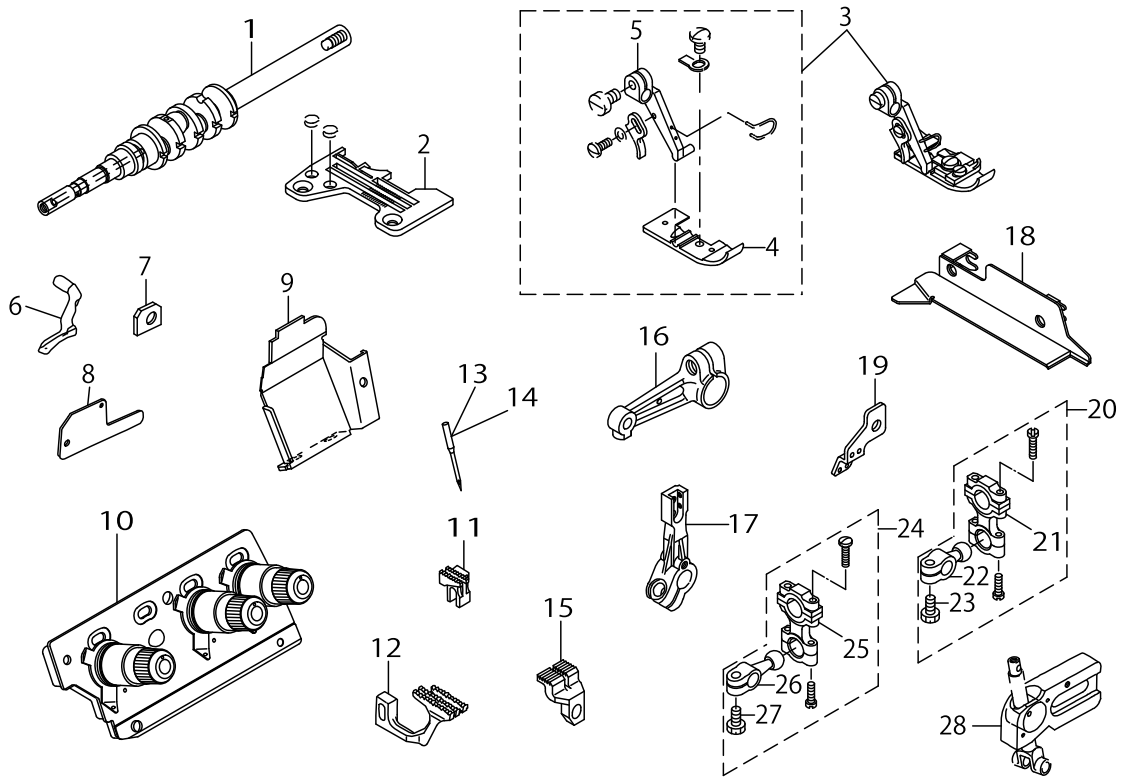


MO-3900 SUBCLASSES (3)

No.	Parts No.	Parts name	Remarks	Level	Cons	Qty
1	12107207	CRANKSHAFT				1
2	R4300J0KG00	THROAT PLATE				1
3	12151262	PRESSER FOOT ASM.				1
4	12157806	PRESSER FOOT		*		1
5	12159307	STITCH TONGUE		*		1
6	MC033600900	NEEDLE B-27 NM90	FOR JE			1
7	11991809	GAUGE				1
8	11991601	UPPER LOOPER GUIDE COVER				1
9	12147302	CLOTH WASTE COVER				1
10	12180469	THREAD GUIDE PLATE ASM.				1
11	11883303	MAIN FEED DOG				1
12	12171708	DIFFERENTIAL FEED DOG				1
13	MDC270B1400	NEEDLE DCX27 #14				1

MO-3900 SUBCLASSES (4)

MO-3904-0M6-60H

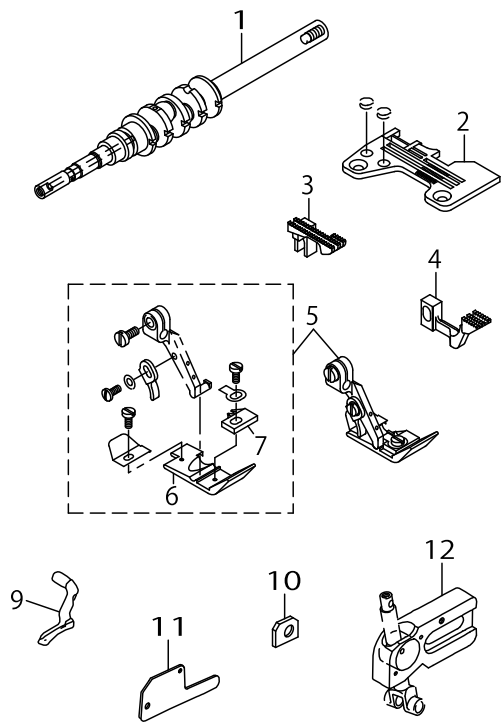


MO-3900 SUBCLASSES (4)

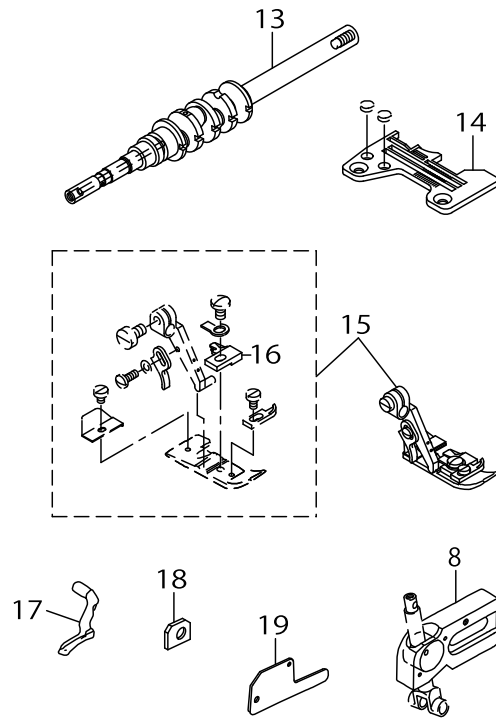
No.	Parts No.	Parts name	Remarks	Level	Cons	Qty
1	12107306	CRANKSHAFT				1
2	R4300J0MG00	THROAT PLATE.				1
3	12151460	PRESSER FOOT ASM.				1
4	12151403	PRESSER FOOT		*		1
5	11872306	PRESSER FOOT HINGE		*		1
6	11888005	UPPER LOOPER				1
7	11545100	GAUGE				1
8	12004206	UPPER LOOPER GUIDE COVER				1
9	12147302	CLOTH WASTE COVER				1
10	12180469	THREAD GUIDE PLATE ASM.				1
11	12172102	MAIN FEED DOG.				1
12	12172201	SUB FEED DOG.				1
13	MDC270B1600	NEEDLE DCX27 #16				1
14	MC033601000	NEEDLE B-27 NM100	FOR JE			1
15	12172300	AUXILIARY FEED DOG.				1
16	12124707	UPPER LOOPER ARM				1
17	12124806	LOWER LOOPER SUPPORT ARM.				1
18	12125258	CLOTH BASE SIDE COVER ASM.				1
19	12112801	TAKE-UP LEVER GUIDE				1
20	12124954	UPPER LOOPER BALL ARM, A.				1
21	12124905	UPPER LOOPER BALL ARM,A		*		1
22	12125001	LOOPER DRIVING ROD		*		1
23	SS9151210TP	SCREW 15/64-28 L=11.8		*		1
24	12125159	LOWER LOOPER BALL ARM, C.				1
25	12125100	LOWER LOOPER BALL ARM,C		*		1
26	12125001	LOOPER DRIVING ROD		*		1
27	SS9151210TP	SCREW 15/64-28 L=11.8		*		1
28	12125357	UPPER LOOPER GUIDE SUPPORT ASM				1

MO-3900 SUBCLASSES (5)

MO-3914-BD-32H

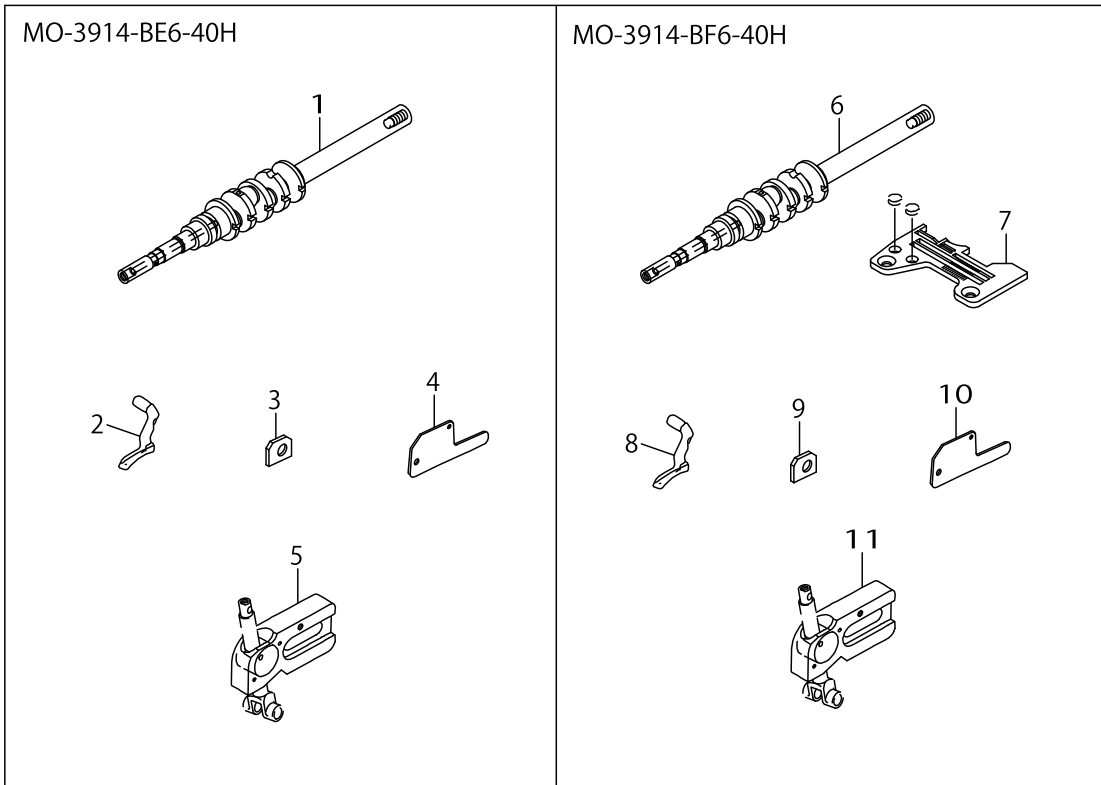


MO-3914-BD6-40H



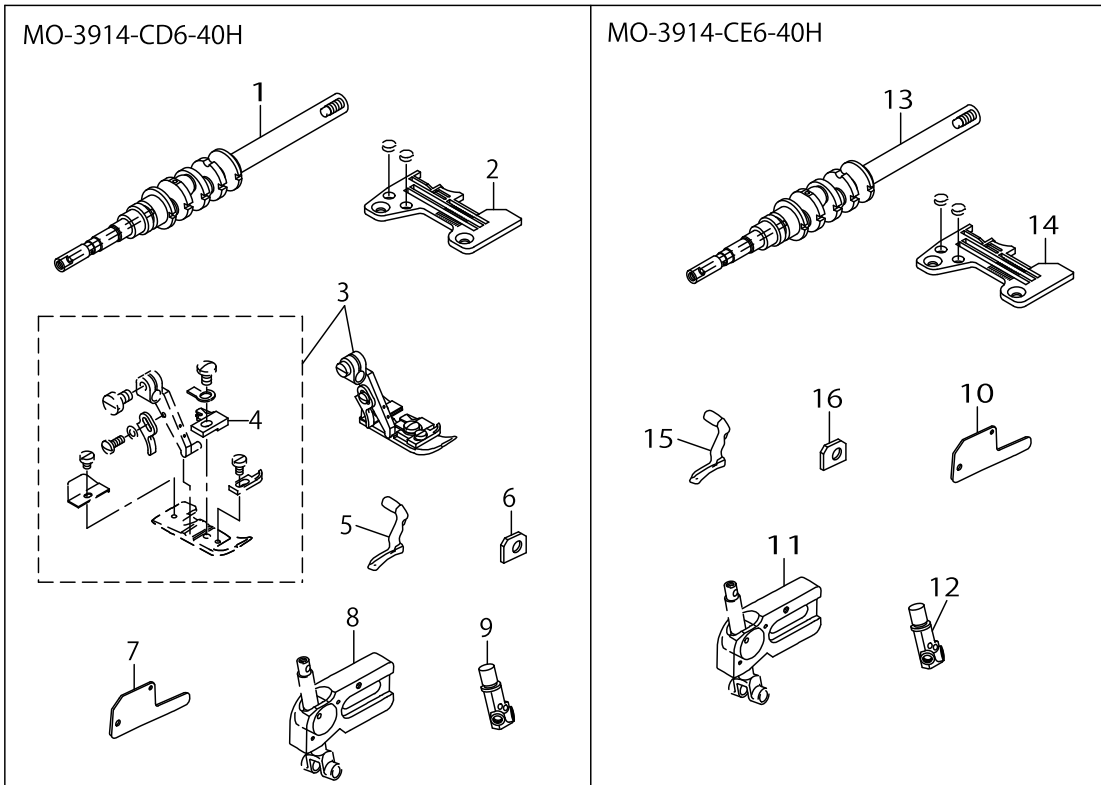
MO-3900 SUBCLASSES (5)

No.	Parts No.	Parts name	Remarks	Level	Cons	Qty
1	12107207	CRANKSHAFT				1
2	R4305J0DE0A	THROAT PLATE				1
3	11883402	MAIN FEED DOG				1
4	12171807	DIFFERENTIAL FEED DOG				1
5	11879350	PRESSER FOOT ASM.				1
6	11974102	PRESSER FOOT		*		1
7	B150981400P	STITCH TONGUE		*		1
8	12123055	UPPER LOOPER GUIDE ASM.				1
9	12176103	UPPER LOOPER				1
10	11991809	GAUGE				1
11	11991601	UPPER LOOPER GUIDE COVER				1
12	12123055	UPPER LOOPER GUIDE ASM.				1
13	12107207	CRANKSHAFT				1
14	R4305J0DE00	THROAT PLATE				1
15	12152559	PRESSER FOOT COMPL.				1
16	12160305	STITCH TONGUE		*		1
17	12176103	UPPER LOOPER				1
18	11991809	GAUGE				1
19	11991601	UPPER LOOPER GUIDE COVER				1



MO-3900 SUBCLASSES (6)

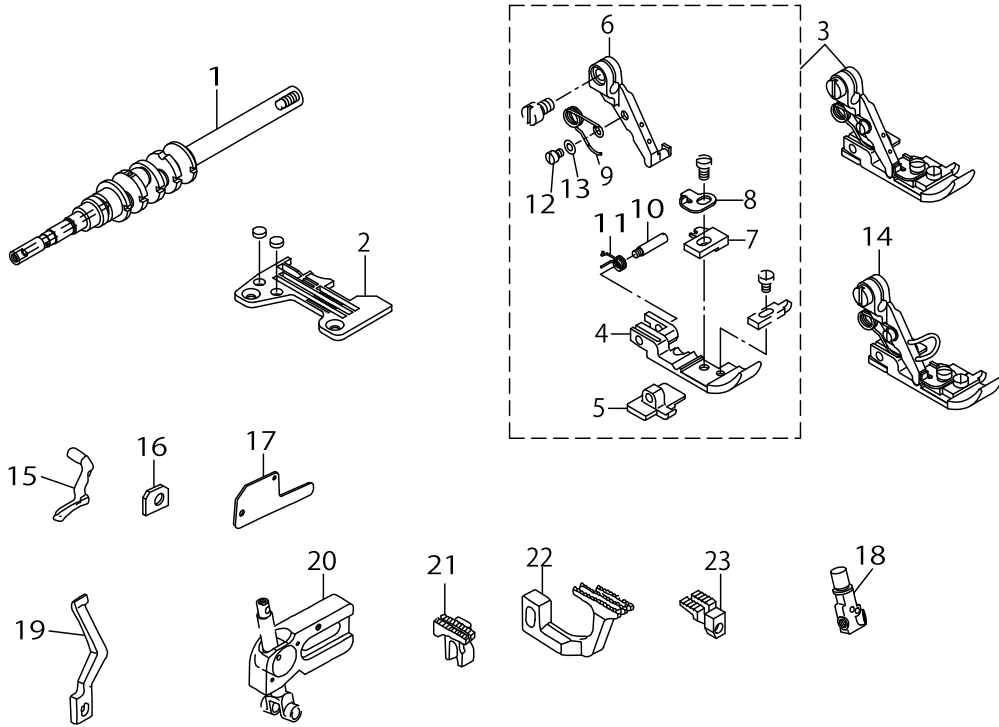
No.	Parts No.	Parts name	Remarks	Level	Cons	Qty
1	12107207	CRANKSHAFT				1
2	12176103	UPPER LOOPER				1
3	11991809	GAUGE				1
4	11991601	UPPER LOOPER GUIDE COVER				1
5	12123055	UPPER LOOPER GUIDE ASM.				1
6	12107207	CRANKSHAFT				1
7	R4305J0FE00	THROAT PLATE				1
8	12176103	UPPER LOOPER				1
9	11991809	GAUGE				1
10	11991601	UPPER LOOPER GUIDE COVER				1
11	12123055	UPPER LOOPER GUIDE ASM.				1



MO-3900 SUBCLASSES (7)

No.	Parts No.	Parts name	Remarks	Level	Cons	Qty
1	12107207	CRANKSHAFT				1
2	R4306J0DE00	THROAT PLATE				1
3	12152559	PRESSER FOOT COMPL.				1
4	12160305	STITCH TONGUE		*		1
5	12176103	UPPER LOOPER				1
6	11991809	GAUGE				1
7	11991601	UPPER LOOPER GUIDE COVER				1
8	12123055	UPPER LOOPER GUIDE ASM.				1
9	12149209	NEEDLE CLAMP, 2-NEEDLE				1
10	11991601	UPPER LOOPER GUIDE COVER				1
11	12123055	UPPER LOOPER GUIDE ASM.				1
12	12149209	NEEDLE CLAMP, 2-NEEDLE				1
13	12107207	CRANKSHAFT				1
14	R4306J0EE00	THROAT PLATE				1
15	12176103	UPPER LOOPER				1
16	11991809	GAUGE				1

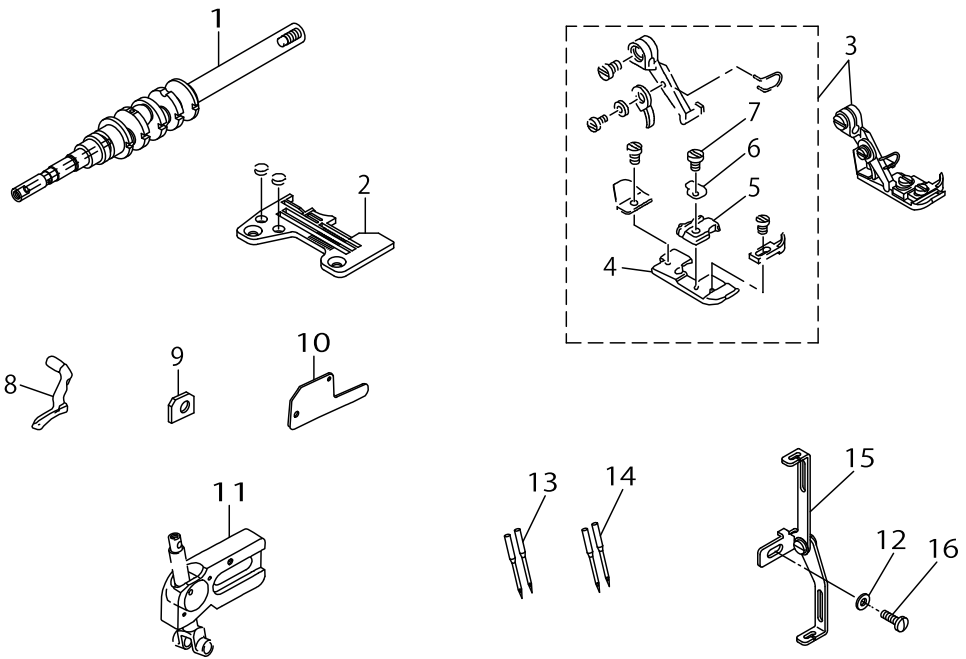
MO-3914-CF6-40H



MO-3900 SUBCLASSES (8)

No.	Parts No.	Parts name	Remarks	Level	Cons	Qty
1	12107207	CRANKSHAFT				1
2	R4306J0FE00	THROAT PLATE				1
3	11984457	PRESSER ASM.				1
4	11983806	CLOTH PRESSER		*		1
5	11983905	REAR PRESSER FOOT		*		1
6	11984002	PRESSER HINGE		*		1
7	11874401	STITCH TONGUE		*		1
8	11984101	SPRING		*		1
9	11984200	PRESSER SPRING		*		1
10	11930807	HINGE PIN		*		1
11	11931706	SPRING		*		1
12	SS7080520SP	SCREW 1/8-44 L=4.9		*		1
13	WP0371026SD	WASHER 3.7X7X1		*		1
14	11984465	PRESSER FOOT ASM.	FOR EXPORT			1
15	12176103	UPPER LOOPER				1
16	11991809	GAUGE				1
17	11991601	UPPER LOOPER GUIDE COVER				1
18	12149308	NEEDLE CLAMP, 2-NEEDLE				1
19	11890407	NEEDLE GUARD				1
20	12123055	UPPER LOOPER GUIDE ASM.				1
21	11882503	MAIN FEED DOG				1
22	11790706	DIFFERENTIAL FEED DOG				1
23	11887205	AUXILIARY FEED DOG				1

MO-3914E-BD6-44H/G20/Q141

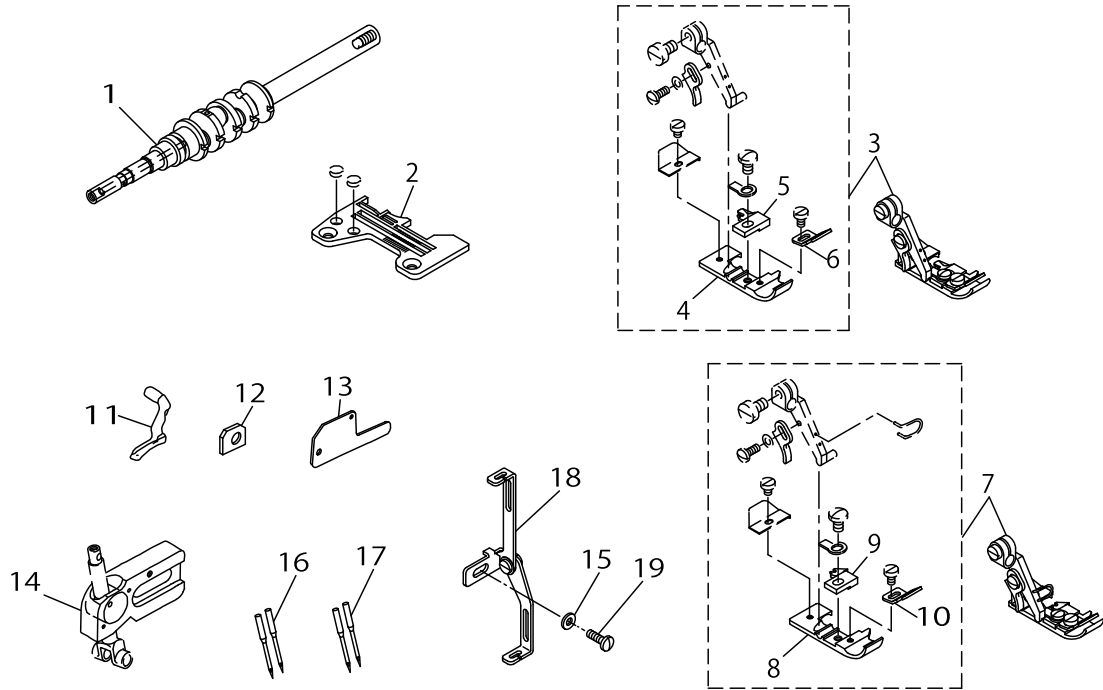


MO-3900 SUBCLASSES (9)

No.	Parts No.	Parts name	Remarks	Level	Cons	Qty
1	12107207	CRANKSHAFT				1
2	R4305J0DE00	THROAT PLATE				1
3	11899861	PRESSER FOOT ASM.				1
4	11873908	PRESSER FOOT		*		1
5	11899606	STITCH TONGUE		*		1
6	11899408	SPRING		*		1
7	SS4080610SP	SCREW 1/8-44 L=6.4		*		1
8	12176103	UPPER LOOPER				1
9	11991809	GAUGE				1
10	11991601	UPPER LOOPER GUIDE COVER				1
11	12123055	UPPER LOOPER GUIDE ASM.				1
12	WP0371016SD	WASHER 3.7X8X1				1
13	MDC270B1400	NEEDLE DCX27 #14				2
14	MC033600900	NEEDLE B-27 NM90	FOR JE			2
15	MAQ141000A0	TAPE GUIDE ASM.				1
16	SS7091110TP	SCREW 9/64-40 L=10.5				1

MO-3900 SUBCLASSES (10)

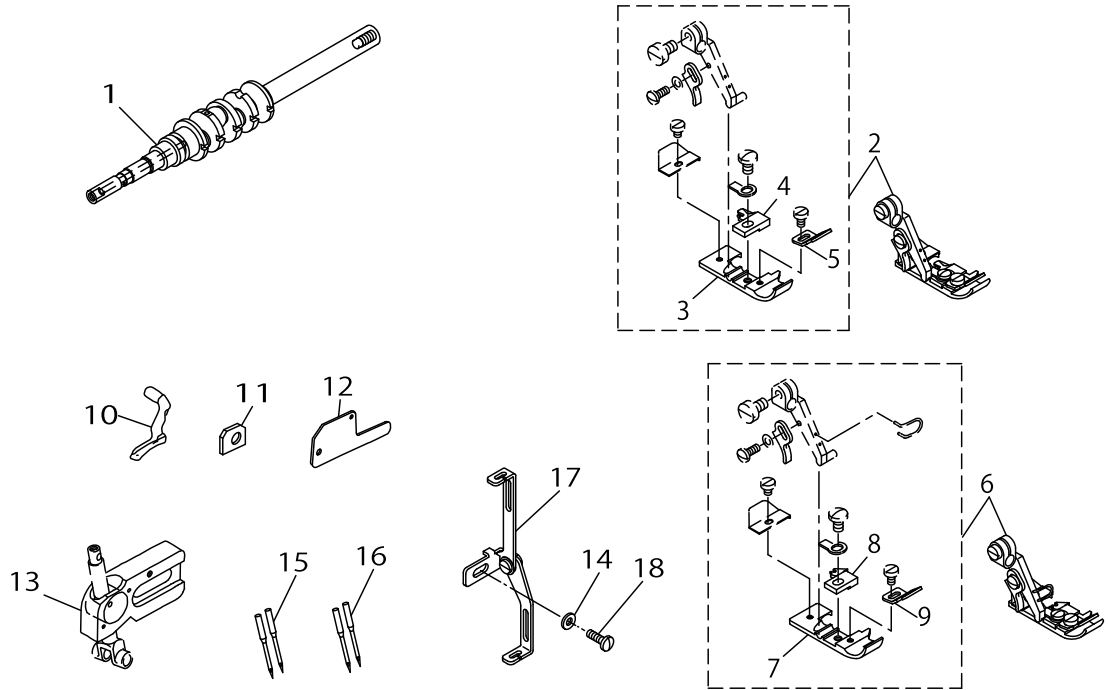
MO-3914-BD6-44H/G38/Q141,MO-3914E-BD6-44H/G39/Q141



MO-3900 SUBCLASSES (10)

No.	Parts No.	Parts name	Remarks	Level	Cons	Qty
1	12107207	CRANKSHAFT				1
2	R4305J0DE00	THROAT PLATE				1
3	12152856	PRESSER FOOT ASM.	FOR JAPAN			1
4	12158002	PRESSER FOOT		*		1
5	12160206	STITCH TONGUE		*		1
6	12160909	TAPE GUIDE		*		1
7	12152963	PRESSER FOOT ASM.	FOR EXPORT			1
8	12158002	PRESSER FOOT		*		1
9	12160305	STITCH TONGUE		*		1
10	12160909	TAPE GUIDE		*		1
11	12176103	UPPER LOOPER				1
12	11991809	GAUGE				1
13	11991601	UPPER LOOPER GUIDE COVER				1
14	12123055	UPPER LOOPER GUIDE ASM.				1
15	WP0371016SD	WASHER 3.7X8X1				1
16	MDC270B1400	NEEDLE DCX27 #14				2
17	MC033600900	NEEDLE B-27 NM90	FOR JE			2
18	MAQ141000A0	TAPE GUIDE ASM.				1
19	SS7091110TP	SCREW 9/64-40 L=10.5				1

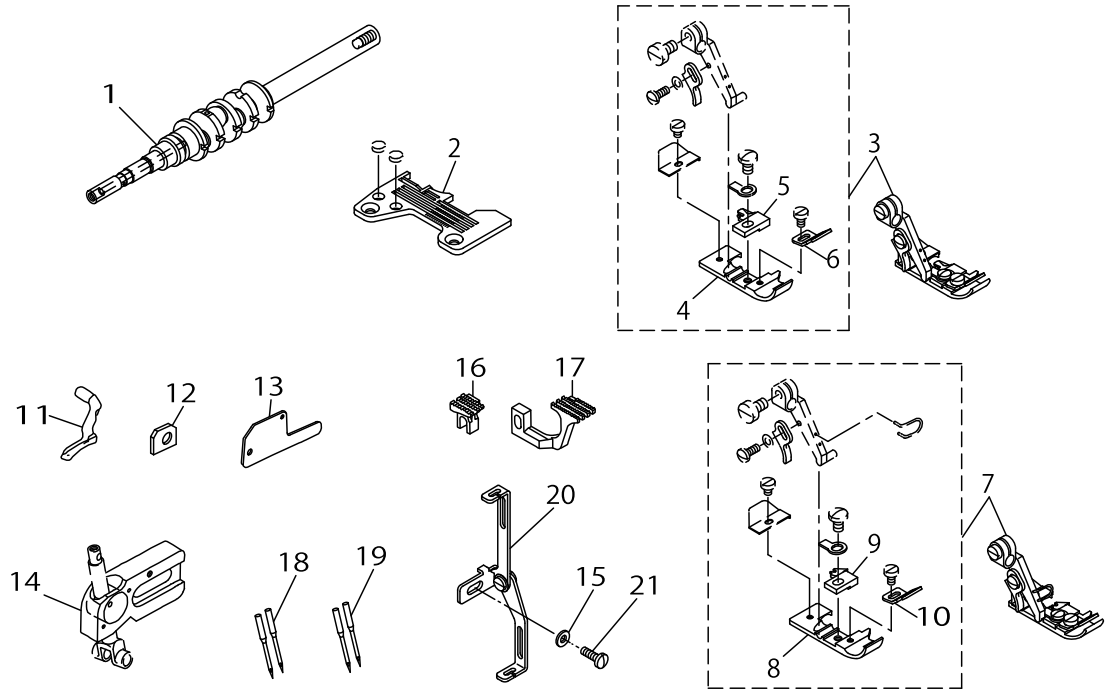
MO-3914-BE6-44H/G38/Q141,MO-3914E-BE6-44H/G39/Q141



MO-3900 SUBCLASSES (11)

No.	Parts No.	Parts name	Remarks	Level	Cons	Qty
1	12107207	CRANKSHAFT				1
2	12152856	PRESSER FOOT ASM.	FOR JAPAN			1
3	12158002	PRESSER FOOT		*		1
4	12160206	STITCH TONGUE		*		1
5	12160909	TAPE GUIDE		*		1
6	12152963	PRESSER FOOT ASM.	FOR EXPORT			1
7	12158002	PRESSER FOOT		*		1
8	12160305	STITCH TONGUE		*		1
9	12160909	TAPE GUIDE		*		1
10	12176103	UPPER LOOPER				1
11	11991809	GAUGE				1
12	11991601	UPPER LOOPER GUIDE COVER				1
13	12123055	UPPER LOOPER GUIDE ASM.				1
14	WP0371016SD	WASHER 3.7X8X1				1
15	MDC270B1400	NEEDLE DCX27 #14				2
16	MC033600900	NEEDLE B-27 NM90	FOR JE			2
17	MAQ141000A0	TAPE GUIDE ASM.				1
18	SS7091110TP	SCREW 9/64-40 L=10.5				1

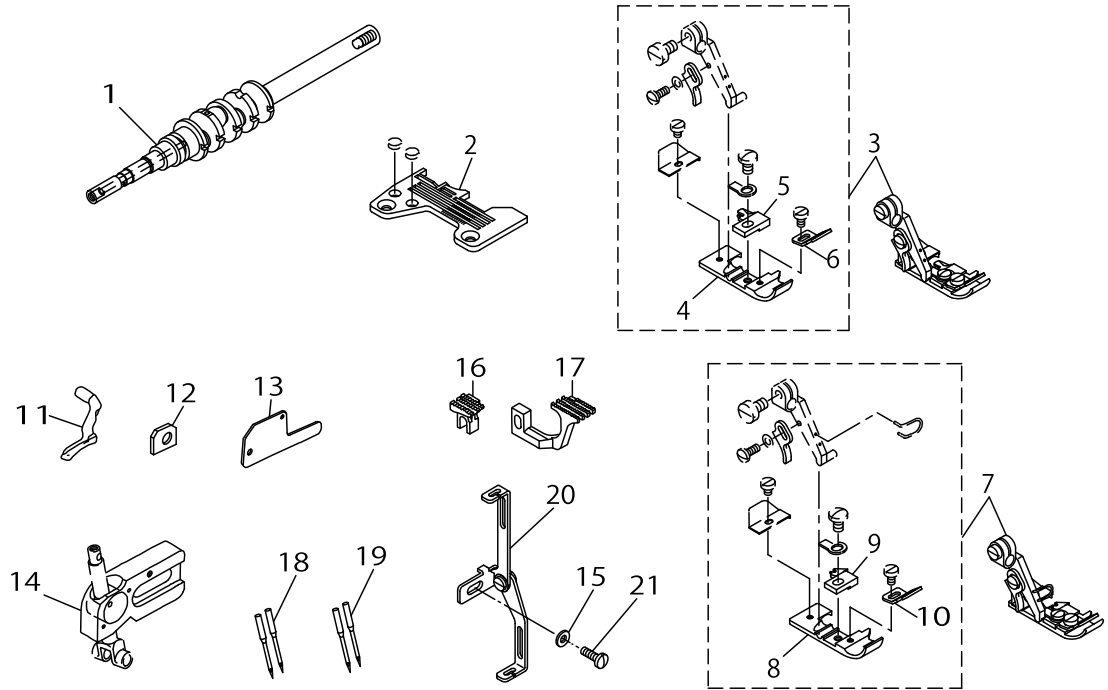
MO-3914-BD7-44H/G38/Q141,MO-3914E-BD7-44H/G39/Q141



MO-3900 SUBCLASSES (12)

No.	Parts No.	Parts name	Remarks	Level	Cons	Qty
1	12107207	CRANKSHAFT				1
2	R4305J0DE00	THROAT PLATE				1
3	12152856	PRESSER FOOT ASM.	FOR JAPAN			1
4	12158002	PRESSER FOOT		*		1
5	12160206	STITCH TONGUE		*		1
6	12160909	TAPE GUIDE		*		1
7	12152963	PRESSER FOOT ASM.	FOR EXPORT			1
8	12158002	PRESSER FOOT		*		1
9	12160305	STITCH TONGUE		*		1
10	12160909	TAPE GUIDE		*		1
11	12176103	UPPER LOOPER				1
12	11991809	GAUGE				1
13	11991601	UPPER LOOPER GUIDE COVER				1
14	12123055	UPPER LOOPER GUIDE ASM.				1
15	WP0371016SD	WASHER 3.7X8X1				1
16	11883501	MAIN FEED DOG				1
17	B1657814B0F	DIFFERENTIAL FEED DOG				1
18	MDC270B1400	NEEDLE DCX27 #14				2
19	MC033600900	NEEDLE B-27 NM90	FOR JE			2
20	MAQ141000A0	TAPE GUIDE ASM.				1
21	SS7091110TP	SCREW 9/64-40 L=10.5				1

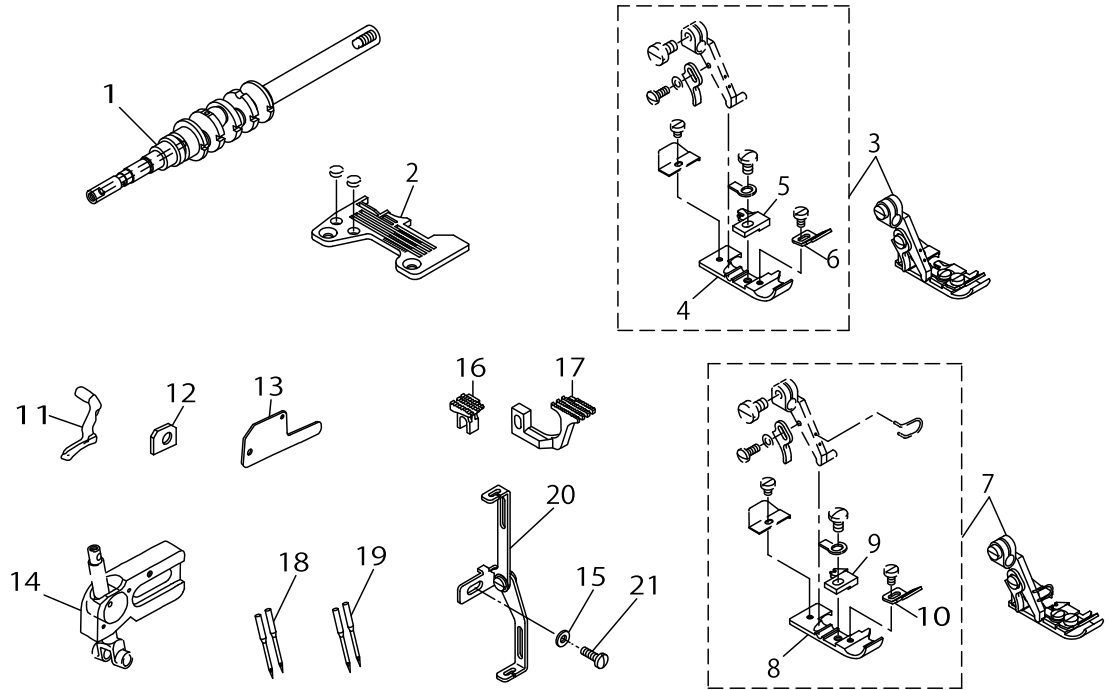
MO-3914-BE7-44H/G38/Q141,MO-3914E-BE7-44H/G39/Q141



MO-3900 SUBCLASSES (13)

No.	Parts No.	Parts name	Remarks	Level	Cons	Qty
1	12107207	CRANKSHAFT				1
2	R4405J0EE00	THROAT PLATE				1
3	12152856	PRESSER FOOT ASM.	FOR JAPAN			1
4	12158002	PRESSER FOOT		*		1
5	12160206	STITCH TONGUE		*		1
6	12160909	TAPE GUIDE		*		1
7	12152963	PRESSER FOOT ASM.	FOR EXPORT			1
8	12158002	PRESSER FOOT		*		1
9	12160305	STITCH TONGUE		*		1
10	12160909	TAPE GUIDE		*		1
11	12176103	UPPER LOOPER				1
12	11991809	GAUGE				1
13	11991601	UPPER LOOPER GUIDE COVER				1
14	12123055	UPPER LOOPER GUIDE ASM.				1
15	WP0371016SD	WASHER 3.7X8X1				1
16	11883501	MAIN FEED DOG				1
17	B1657814B0F	DIFFERENTIAL FEED DOG				1
18	MDC270B1400	NEEDLE DCX27 #14				2
19	MC033600900	NEEDLE B-27 NM90	FOR JE			2
20	MAQ141000A0	TAPE GUIDE ASM.				1
21	SS7091110TP	SCREW 9/64-40 L=10.5				1

MO-3914-CE7-44H/G38/Q141,MO-3914E-CE7-44H/G39/Q141

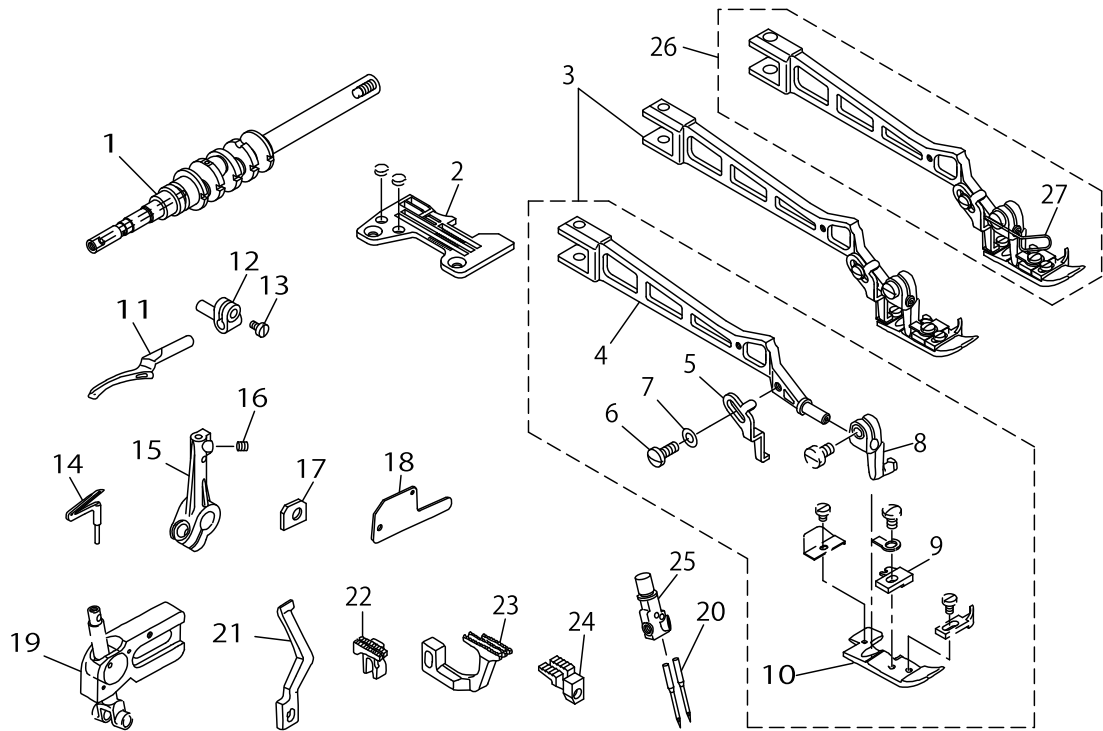


MO-3900 SUBCLASSES (14)

No.	Parts No.	Parts name	Remarks	Level	Cons	Qty
1	12107207	CRANKSHAFT				1
2	R4406J0EE00	THROAT PLATE				1
3	12152856	PRESSER FOOT ASM.	FOR JAPAN			1
4	12158002	PRESSER FOOT		*		1
5	12160206	STITCH TONGUE		*		1
6	12160909	TAPE GUIDE		*		1
7	12152963	PRESSER FOOT ASM.	FOR EXPORT			1
8	12158002	PRESSER FOOT		*		1
9	12160305	STITCH TONGUE		*		1
10	12160909	TAPE GUIDE		*		1
11	12176103	UPPER LOOPER				1
12	11991809	GAUGE				1
13	11991601	UPPER LOOPER GUIDE COVER				1
14	12123055	UPPER LOOPER GUIDE ASM.				1
15	WP0371016SD	WASHER 3.7X8X1				1
16	11883501	MAIN FEED DOG				1
17	B1657814B0F	DIFFERENTIAL FEED DOG				1
18	MDC270B1400	NEEDLE DCX27 #14				2
19	MC033600900	NEEDLE B-27 NM90	FOR JE			2
20	MAQ141000A0	TAPE GUIDE ASM.				1
21	SS7091110TP	SCREW 9/64-40 L=10.5				1

MO-3900 SUBCLASSES (15)

MO-3914-DF6-50G

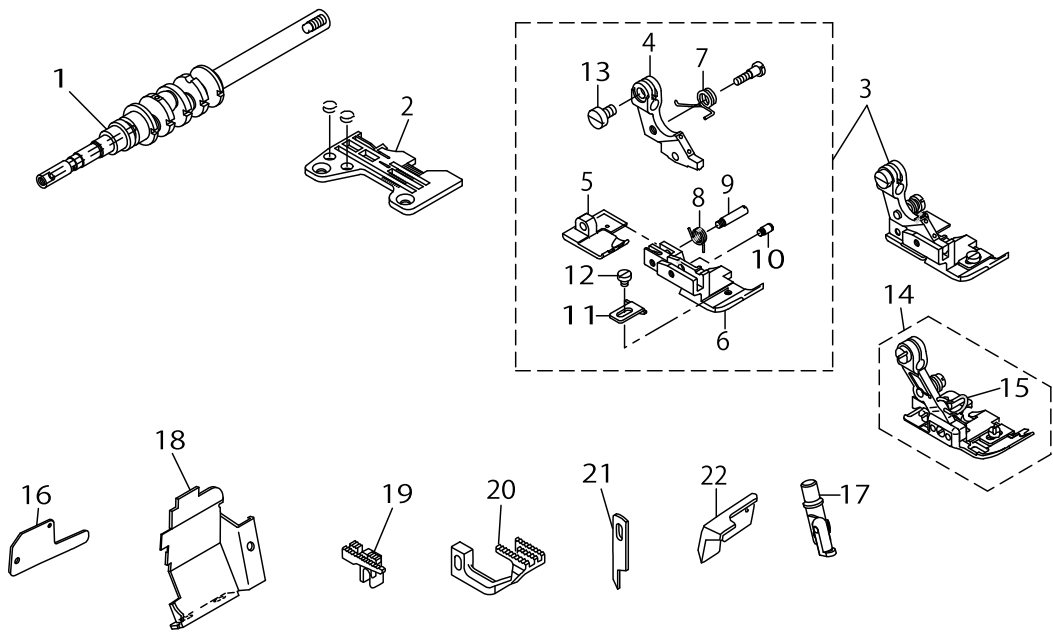


MO-3900 SUBCLASSES (15)

No.	Parts No.	Parts name	Remarks	Level	Cons	Qty
1	12107207	CRANKSHAFT				1
2	R4308J0FE0B	THROAT PLATE				1
3	12152781	PRESSER FOOT ASM.				1
4	12114112	PRESSER FOOT ARM		*		1
5	12160800	STOPPER		*		1
6	SS7080520SP	SCREW 1/8-44 L=4.9		*		1
7	WP0350516SD	WASHER 3.5X6X0.5		*		1
8	11651304	PRESSER FOOT HINGE		*		1
9	11790607	STITCH TONGUE		*		1
10	11790508	PRESSER FOOT		*		1
11	11996600	UPPER LOOPER				1
12	11544707	UPPER LOOPER SUPPORT ARM				1
13	SS6080410SP	SCREW 1/8-44 L=4				1
14	11995206	LOWER LOOPER				1
15	12123709	LOWER LOOPER SUPPORT ARM				1
16	SS8110422TP	SCREW 11/64-40 L=4				1
17	11991809	GAUGE				1
18	11991601	UPPER LOOPER GUIDE COVER				1
19	12123055	UPPER LOOPER GUIDE ASM.				1
20	MDC270B1400	NEEDLE DCX27 #14				2
21	11890407	NEEDLE GUARD				1
22	11882503	MAIN FEED DOG				1
23	11790706	DIFFERENTIAL FEED DOG				1
24	11987005	AUXILIARY FEED DOG				1
25	12149407	NEEDLE CLAMP, 2-NEEDLE				1
26	12152765	PRESSER FOOT ASM.	FOR EXPORT			1
27	11522802	FINGER GUARD		*		1

MO-3900 SUBCLASSES (16)

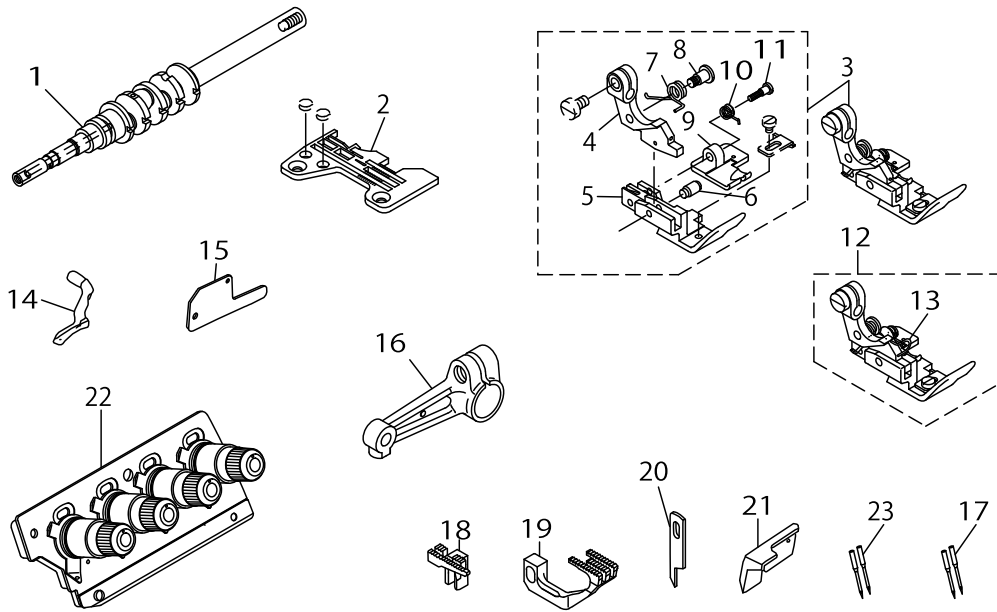
MO-3916-RH6-30H



MO-3900 SUBCLASSES (16)

No.	Parts No.	Parts name	Remarks	Level	Cons	Qty
1	12107207	CRANKSHAFT				1
2	R4617J0HD00	THROAT PLATE				1
3	12154555	PRESSER FOOT ASM.				1
4	11991023	PRESSER FOOT HINGE		*		1
5	12165601	REAR PRESSER FOOT		*		1
6	12163002	PRESSER FOOT		*		1
7	B151581600B	PRESSER FOOT ARM SPRING B		*		1
8	11991304	SPRING		*		1
9	11930807	HINGE PIN		*		1
10	11993508	PRESSER FOOT HINGE PIN		*		1
11	12167706	PRESSER FOOT		*		1
12	SS6060340SP	SCREW 3/32-56 L= 2.5		*		1
13	SS6090650SP	SCREW 9/64-40 L=6		*		1
14	12154365	PRESSER FOOT ASM.	FOR EXPORT			1
15	11821303	FINGER GUARD		*		1
16	11991601	UPPER LOOPER GUIDE COVER				1
17	12150413	NEEDLE CLAMP,CHAIN LOOPER				1
18	12147906	CLOTH WASTE COVER				1
19	11884004	MAIN FEED DOG				1
20	12173308	DIFFERENTIAL FEED DOG				1
21	11845609	KNIFE	FOR JAPAN			1
22	11845807	UPPER KNIFE	FOR EXPORT			1

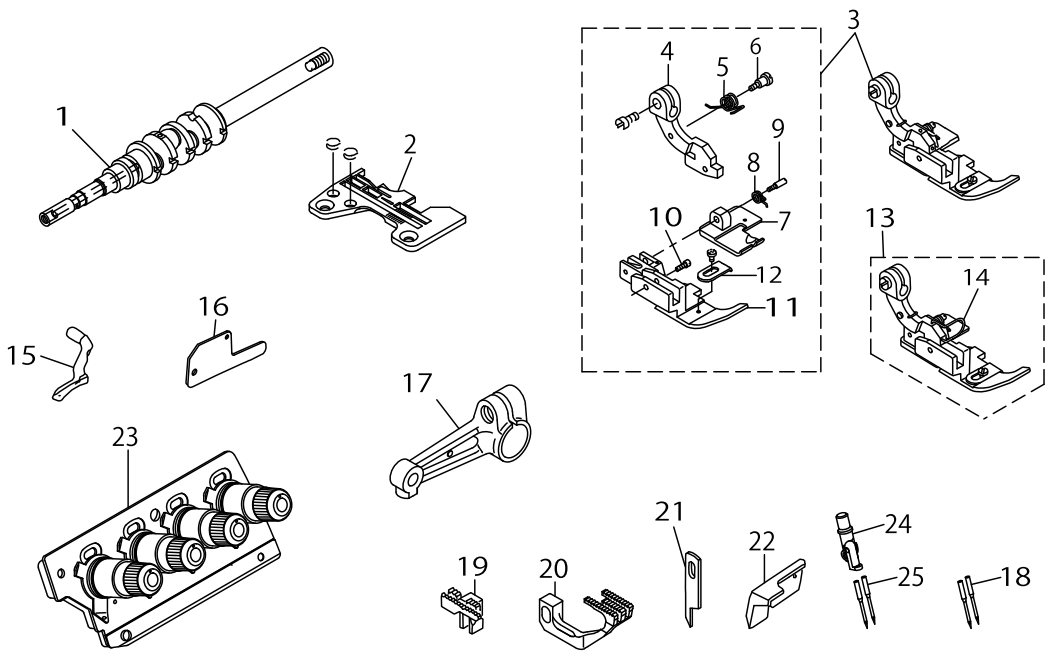
MO-3916-DF6-50H



MO-3900 SUBCLASSES (17)

No.	Parts No.	Parts name	Remarks	Level	Cons	Qty
1	12107207	CRANKSHAFT				1
2	R4608J0FG00	THROAT PLATE				1
3	12154456	PRESSER FOOT ASM.				1
4	12157103	PRESSER FOOT HINGE		*		1
5	12162905	PRESSER FOOT		*		1
6	11993508	PRESSER FOOT HINGE PIN		*		1
7	B1515816000	PRESSER FOOT ARM SPRING		*		1
8	B1514816000	SCREW		*		1
9	12165502	REAR PRESSER FOOT		*		1
10	11991304	SPRING		*		1
11	11930807	HINGE PIN		*		1
12	12154464	PRESSER FOOT ASM.	FOR EXPORT			1
13	11820800	FINGER GUARD		*		1
14	11991908	UPPER LOOPER				1
15	11991601	UPPER LOOPER GUIDE COVER				1
16	12122800	UPPER LOOPER ARM B				1
17	MC033601000	NEEDLE B-27 NM100	FOR JE			2
18	11884400	MAIN FEED DOG				1
19	12173506	DIFFERENTIAL FEED DOG				1
20	11845609	KNIFE	FOR JAPAN			1
21	11845807	UPPER KNIFE	FOR EXPORT			1
22	12180865	THREAD GUIDE PLATE ASM.				1
23	MDC270B1600	NEEDLE DCX27 #16				2

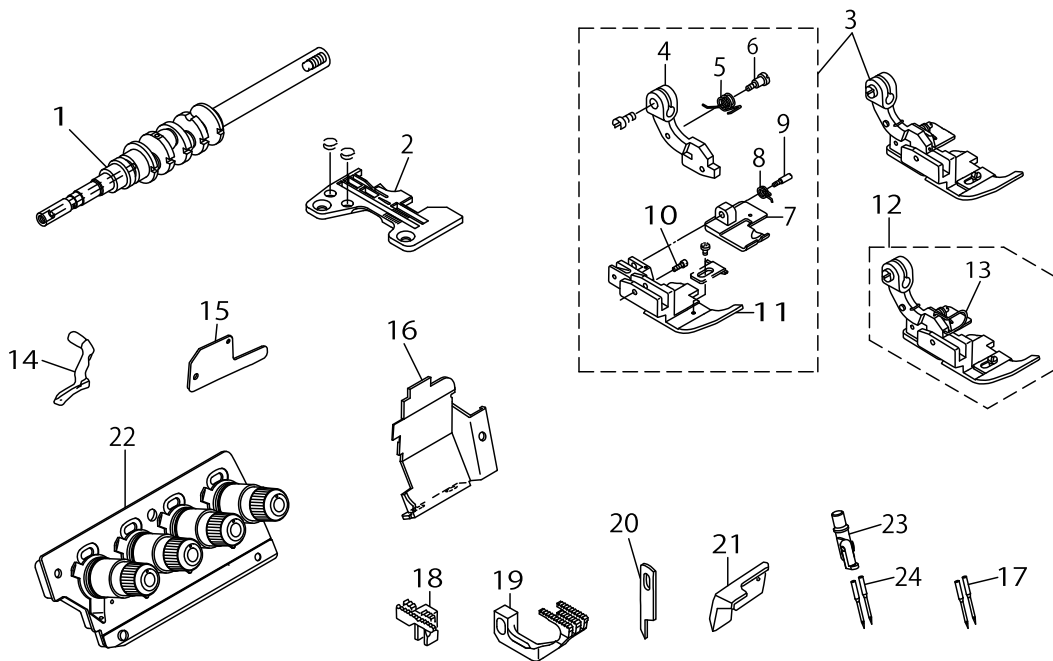
MO-3916-FF6-50H



MO-3900 SUBCLASSES (18)

No.	Parts No.	Parts name	Remarks	Level	Cons	Qty
1	12107207	CRANKSHAFT				1
2	R4612J0FF00	THROAT PLATE				1
3	11991171	PRESSER FOOT ASM.				1
4	11991015	PRESSER FOOT HINGE		*		1
5	B151581600B	PRESSER FOOT ARM SPRING B		*		1
6	B1514816000	SCREW		*		1
7	11991205	REAR PRESSER FOOT		*		1
8	11991304	SPRING		*		1
9	11930807	HINGE PIN		*		1
10	11993508	PRESSER FOOT HINGE PIN		*		1
11	11991114	HINGED TYPE PRESSER FOOT		*		1
12	B1530816D00	AUXILIARY STOPPER		*		1
13	11991189	PRESSER FOOT ASM.	FOR EXPORT			1
14	11820800	FINGER GUARD		*		1
15	11991908	UPPER LOOPER				1
16	11991601	UPPER LOOPER GUIDE COVER				1
17	12122800	UPPER LOOPER ARM B				1
18	MC033601000	NEEDLE B-27 NM100	FOR JE			2
19	11883006	MAIN FEED DOG				1
20	12173506	DIFFERENTIAL FEED DOG				1
21	11845609	KNIFE	FOR JAPAN			1
22	11845807	UPPER KNIFE	FOR EXPORT			1
23	12180865	THREAD GUIDE PLATE ASM.				1
24	12150306	NEEDLE CLAMP, CHAIN LOOPER				1
25	MDC270B1600	NEEDLE DCX27 #16				2

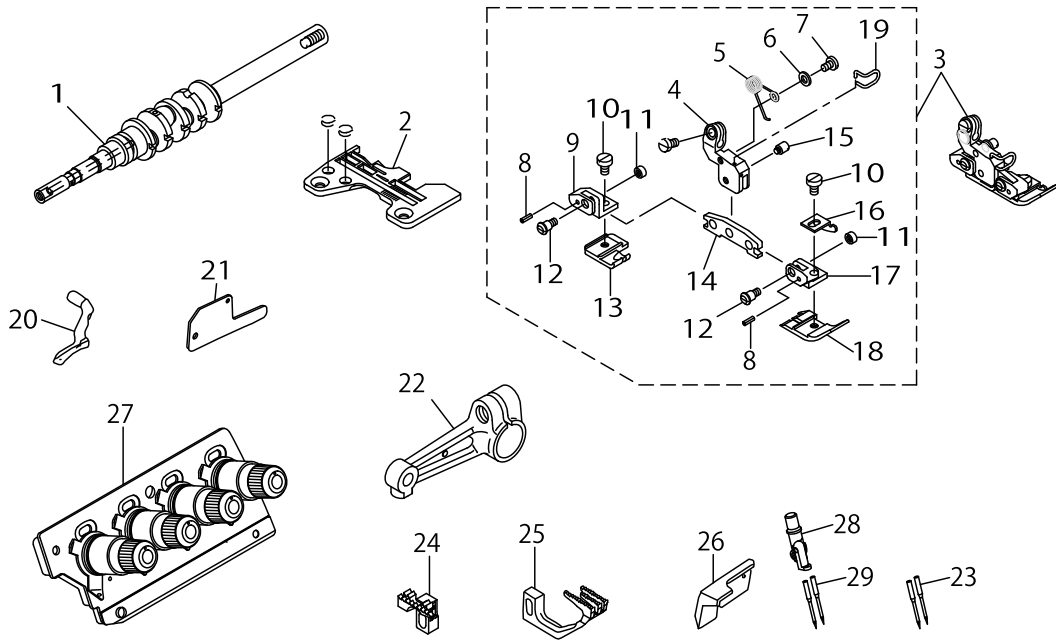
MO-3916-RH6-50H



MO-3900 SUBCLASSES (19)

No.	Parts No.	Parts name	Remarks	Level	Cons	Qty
1	12107207	CRANKSHAFT				1
2	R4617J0HG00	THROAT PLATE				1
3	12154555	PRESSER FOOT ASM.				1
4	11991015	PRESSER FOOT HINGE		*		1
5	B151581600B	PRESSER FOOT ARM SPRING B		*		1
6	B1514816000	SCREW		*		1
7	12165601	REAR PRESSER FOOT		*		1
8	11991304	SPRING		*		1
9	11930807	HINGE PIN		*		1
10	11993508	PRESSER FOOT HINGE PIN		*		1
11	12163002	PRESSER FOOT		*		1
12	12154563	PRESSER FOOT ASM.	FOR EXPORT			1
13	11820800	FINGER GUARD		*		1
14	11991908	UPPER LOOPER				1
15	11991601	UPPER LOOPER GUIDE COVER				1
16	12147906	CLOTH WASTE COVER				1
17	MC033601000	NEEDLE B-27 NM100	FOR JE			2
18	11883006	MAIN FEED DOG				1
19	12173506	DIFFERENTIAL FEED DOG				1
20	11845609	KNIFE	FOR JAPAN			1
21	11845807	UPPER KNIFE	FOR EXPORT			1
22	12180865	THREAD GUIDE PLATE ASM.				1
23	12150413	NEEDLE CLAMP,CHAIN LOOPER				1
24	MDC270B1600	NEEDLE DCX27 #16				2

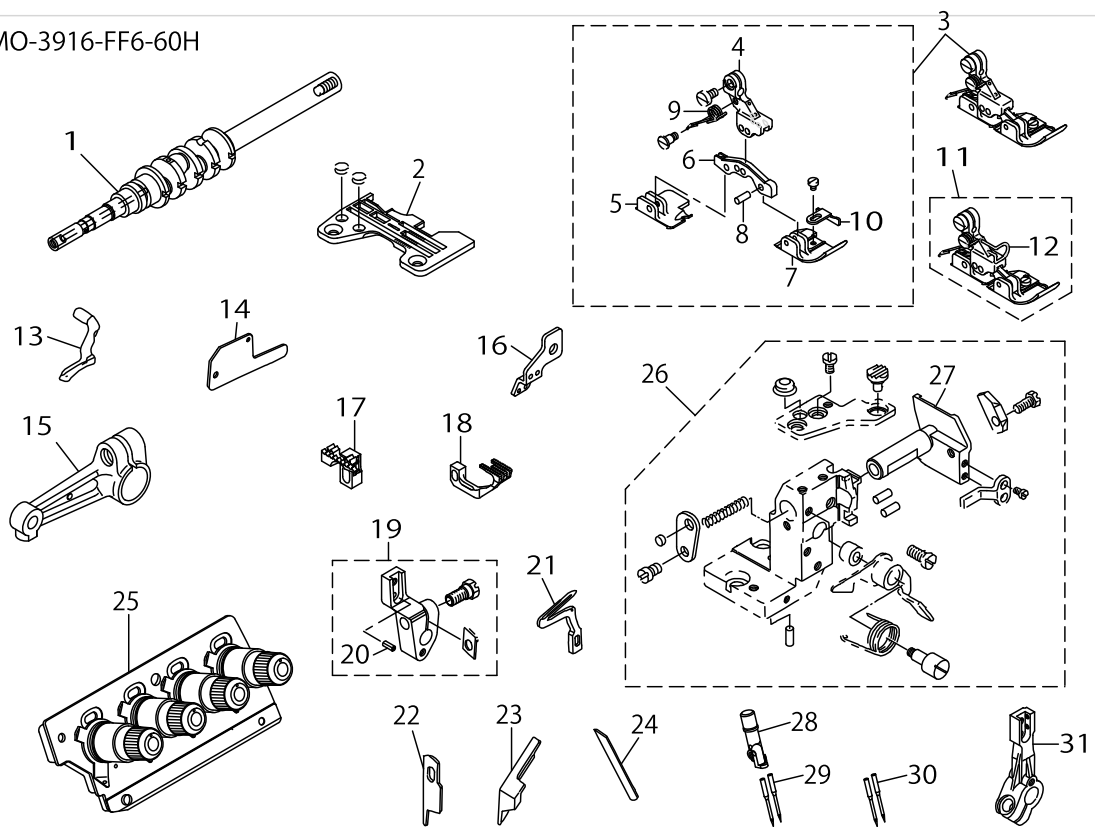
MO-3916E-FF6-50H/F26/G32



MO-3900 SUBCLASSES (20)

No.	Parts No.	Parts name	Remarks	Level	Cons	Qty
1	12107207	CRANKSHAFT				1
2	R4612J0FF00	THROAT PLATE				1
3	11993961	STAIR SEWING PRESSER ASM.				1
4	11993706	PRESSER FOOT HINGE ARM		*		1
5	11988706	STEP-SEWING PRESSER SPRING		*		1
6	WP0371026SD	WASHER 3.7X7X1		*		1
7	SS7080520SP	SCREW 1/8-44 L=4.9		*		1
8	PS0200062KH	SPRING PIN 2X6		*		2
9	11994209	REAR PRESSER HINGE		*		1
10	SS6090620TP	SCREW		*		2
11	11988904	HINGE NUT		*		2
12	11988805	HINGE SCREW		*		2
13	11994100	REAR PRESSER FOOT		*		1
14	11993805	PRESSER FOOT HINGE		*		1
15	11989407	PRESSER HINGE SCREW		*		1
16	11994308	CLOTH GUIDE		*		1
17	11994001	FRONT PRESSER HINGE		*		1
18	11993904	PRESSER FOOT		*		1
19	11820800	FINGER GUARD		*		1
20	11991908	UPPER LOOPER				1
21	11991601	UPPER LOOPER GUIDE COVER				1
22	12122800	UPPER LOOPER ARM B				1
23	MC033601000	NEEDLE B-27 NM100	FOR JE			2
24	12171104	MAIN FEED DOG				1
25	12173704	DIFFERENTIAL FEED DOG				1
26	11845807	UPPER KNIFE				1
27	12180865	THREAD GUIDE PLATE ASM.				1
28	12150306	NEEDLE CLAMP, CHAIN LOOPER				1
29	MDC270B1600	NEEDLE DCX27 #16				2

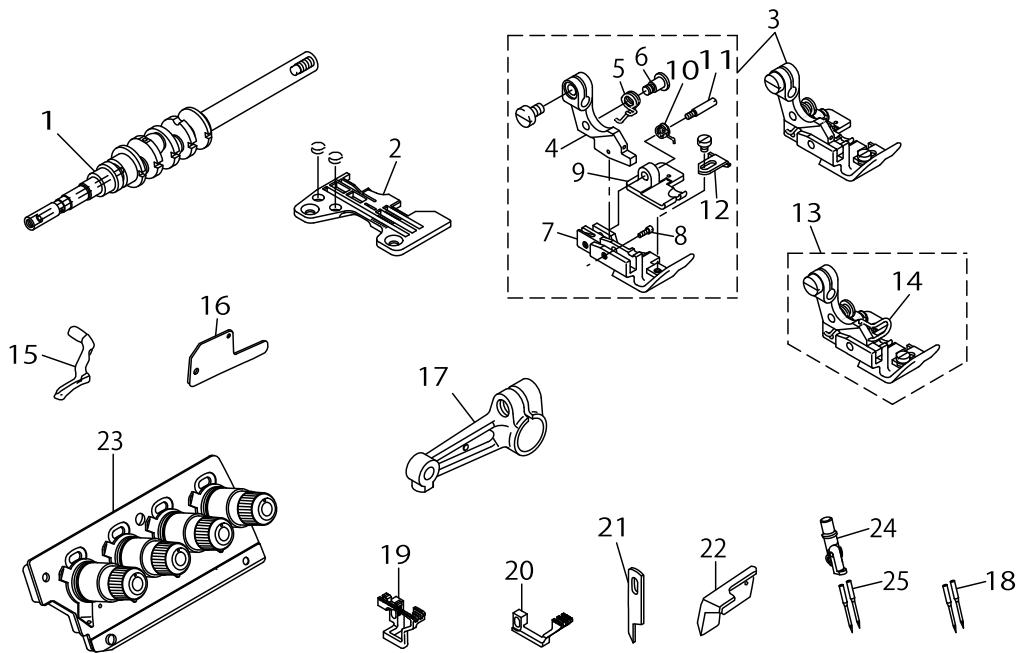
MO-3916-FF6-60H



MO-3900 SUBCLASSES (21)

No.	Parts No.	Parts name	Remarks	Level	Cons	Qty
1	12107306	CRANKSHAFT				1
2	R4612J0FK00	THROAT PLATE				1
3	12155552	PRESSER FOOT ASM.				1
4	12157319	PRESSER FOOT HINGE ARM		*		1
5	12165908	REAR PRESSER FOOT		*		1
6	12168407	PRESSER FOOT HINGE		*		1
7	12164000	PRESSER FOOT		*		1
8	11930708	PRESSER FOOT HINGE PIN		*		3
9	12168506	PRESSER FOOT ARM SPRING		*		1
10	12168605	CLOTH GUIDE		*		1
11	12155560	PRESSER FOOT ASM.	FOR EXPORT			1
12	12168803	FINGER GUARD		*		1
13	12176202	UPPER LOOPER				1
14	11991601	UPPER LOOPER GUIDE COVER				1
15	12122800	UPPER LOOPER ARM B				1
16	12112801	TAKE-UP LEVER GUIDE				1
17	12171104	MAIN FEED DOG				1
18	12174207	DIFFERENTIAL FEED DOG				1
19	12121554	CHAIN LOOPER DRIVING ARM ASM.				1
20	PS0250062KH	SPRING PIN 2.5X6		*		1
21	11999802	LOWER LOOPER				1
22	12004909	KNIFE	FOR JAPAN			1
23	11565900	UPPER KNIFE	FOR EXPORT			1
24	11566502	LOWER KNIFE				1
25	12181251	THREAD GUIDE PLATE ASM.				1
26	12133682	LOWER KNIFE BRACKET ASM.				1
27	12133500	LOWER KNIFE SLIDE STUD		*		1
28	12150702	NEEDLE CLAMP, CHAIN LOOPER				1
29	MDC270B2100	NEEDLE DCX27 #21				2
30	MC033601300	NEEDLE B-27 NM130	FOR JE			2
31	12124806	LOWER LOOPER SUPPORT ARM.				1

MO-3916-FF6-42H

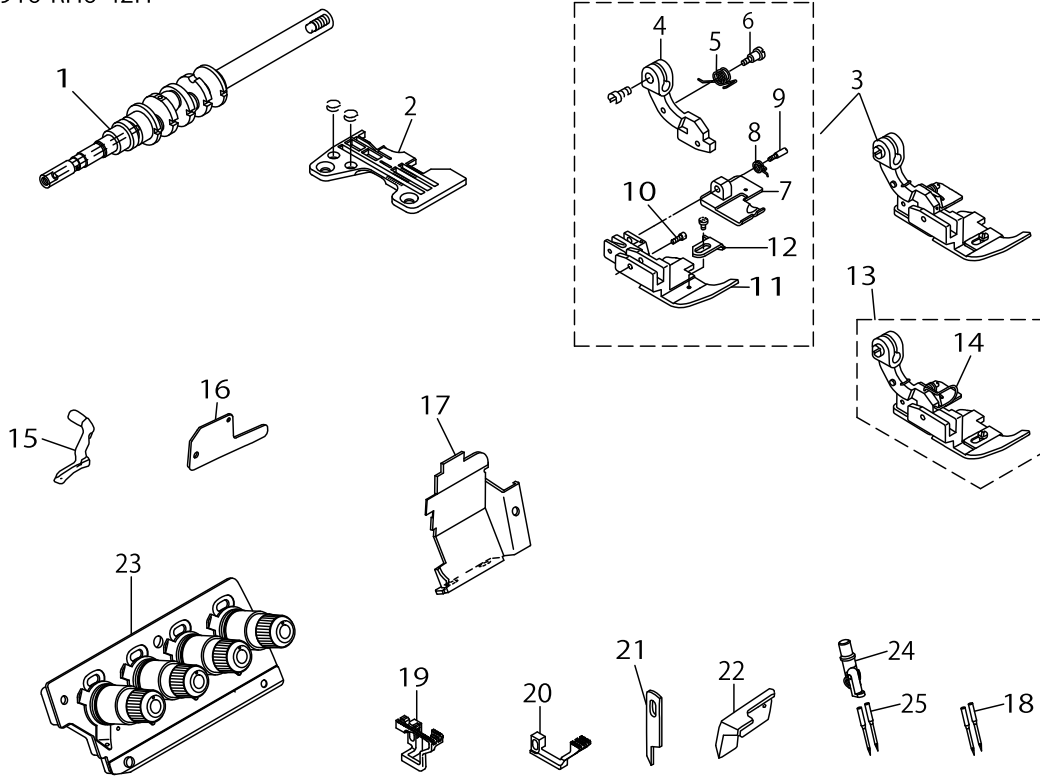


MO-3900 SUBCLASSES (22)

No.	Parts No.	Parts name	Remarks	Level	Cons	Qty
1	12107207	CRANKSHAFT				1
2	R4612J0FD0A	THROAT PLATE				1
3	12154852	PRESSER FOOT ASM.				1
4	11991015	PRESSER FOOT HINGE		*		1
5	B151581600B	PRESSER FOOT ARM SPRING B		*		1
6	B1514816000	SCREW		*		1
7	12163309	PRESSER FOOT		*		1
8	11993508	PRESSER FOOT HINGE PIN		*		1
9	11991205	REAR PRESSER FOOT		*		1
10	11991304	SPRING		*		1
11	11930807	HINGE PIN		*		1
12	12168100	CLOTH GUIDE		*		1
13	12154860	PRESSER FOOT ASM.	FOR EXPORT			1
14	11820800	FINGER GUARD		*		1
15	11991908	UPPER LOOPER				1
16	11991601	UPPER LOOPER GUIDE COVER				1
17	12122800	UPPER LOOPER ARM B				1
18	MC033600900	NEEDLE B-27 NM90	FOR JE			2
19	12170908	MAIN FEED DOG				1
20	12173407	DIFFERENTIAL FEED DOG				1
21	11845609	KNIFE	FOR JAPAN			1
22	11845807	UPPER KNIFE	FOR EXPORT			1
23	12180865	THREAD GUIDE PLATE ASM.				1
24	12150306	NEEDLE CLAMP, CHAIN LOOPER				1
25	MDC270B1400	NEEDLE DCX27 #14				2

MO-3900 SUBCLASSES (23)

MO-3916-RH6-42H



MO-3900 SUBCLASSES (23)

No.	Parts No.	Parts name	Remarks	Level	Cons	Qty
1	12107207	CRANKSHAFT				1
2	R4617J0HD0A	THROAT PLATE				1
3	12154951	PRESSER FOOT ASM.				1
4	11991015	PRESSER FOOT HINGE		*		1
5	B151581600B	PRESSER FOOT ARM SPRING B		*		1
6	B1514816000	SCREW		*		1
7	12165601	REAR PRESSER FOOT		*		1
8	11991304	SPRING		*		1
9	11930807	HINGE PIN		*		1
10	11993508	PRESSER FOOT HINGE PIN		*		1
11	12163408	PRESSER FOOT		*		1
12	12168100	CLOTH GUIDE		*		1
13	12154969	PRESSER FOOT ASM.	FOR EXPORT			1
14	11820800	FINGER GUARD		*		1
15	11991908	UPPER LOOPER				1
16	11991601	UPPER LOOPER GUIDE COVER				1
17	12147906	CLOTH WASTE COVER				1
18	MC033600900	NEEDLE B-27 NM90	FOR JE			2
19	12170908	MAIN FEED DOG				1
20	12173407	DIFFERENTIAL FEED DOG				1
21	11845609	KNIFE	FOR JAPAN			1
22	11845807	UPPER KNIFE	FOR EXPORT			1
23	12180865	THREAD GUIDE PLATE ASM.				1
24	12150306	NEEDLE CLAMP, CHAIN LOOPER				1
25	MDC270B1400	NEEDLE DCX27 #14				2

LIST FOR INFORMATION OF CHANGE

As to the place changed, refer to the corresponding Rev.No.
 When previous parts(Obsoleted part) and new parts(Added parts) are not interchangeable with each other:
 In this case, even obsoleted parts(D.) can be ordered with the obsoleted part number, so select the parts with changed dates and place your orders.

変更箇所は、該当Rev.No.版をご参照ください。
 部品の互換性がない変更の場合は、削除された品番でも、ご注文できます。

29129202
 No.0851-05・・・Rev.No.

*A: Added parts追加部品 / D: Obsoleted parts削除部品 / E: Erratum訂正

* Rev. No.	Page 頁	Ref. No.	Parts No. 品番	* Rev. No.	Page 頁	Ref. No.	Parts No. 品番		
D	04	16	3	121-54357	A	05	16	3	121-54555
D	04	16	9	121-68209	A	05	16	15	118-21303
D	04	16	11	121-50405	A	05	16	17	121-50413
D	04	16	23	121-50405	A	05	16	23	121-50413
					A	05	21	31	121-24806

HOW TO MAKE USE OF THIS PARTS LIST

1.Explanation of codes

1)"*"mark.....means this part is changed from the previous parts book.

As to the details of the change, refer to the "List for information of change".

2)"#01".....refer to "Note" explanation at bottom of page.

2.Codes on the "Qty" column

- Each numeral indicates the number of parts required.
- "0.1" and "2.5" indicate the length (in meters) of the respective parts.

3.Parentheses mean that the corresponding part is a subpart that constructs an assembly part.

4.Dotted lines on the Figures indicate assembly parts.

1."注記"欄の記号説明

1) "*"印.....前回のパーツブックに比較して今回変更された部品を意味します。

変更内容は、"変更情報リスト"を参照してください。

2) "#01".....ページ下の"注記"の説明を参照してください。

2.数量欄の数字は、個数を表し、0.1、2.5等の数値は、長さ（単位メートル）を表します。

3.数量欄の（ ）は、組部品を構成している子部品であることを意味します。

4.イラストページの-----枠は、組構成であることを意味します。

Other parts list related to this model.

この機種に関するパーツリストとして下記のパーツリストがあります。

MO-3904-0E4,MO-3914-BE6,MO-3916-DE4.....Standard model(No.0845)

MO-3904-0E4,MO-3914-BE6,MO-3916-DE4.....標準機種 (No.0845)

NUMERICAL INDEX OF PARTS

PART NO	PAGE	REF NO.	PART NO	PAGE	REF NO.	PART NO	PAGE	REF NO.
11522802	30	27	11884400	34	18	11991304	38	8
11544707	30	12	11887205	16	23	11991304	44	10
11545100	8	7	11888005	8	6	11991304	46	8
11565900	42	23	11890407	16	19	11991601	2	10
11566502	42	24	11890407	30	21	11991601	4	8
11651304	30	8	11899408	18	6	11991601	6	8
11790508	30	10	11899606	18	5	11991601	10	19
11790607	30	9	11899861	18	3	11991601	12	10
11790706	16	22	11930708	42	8	11991601	14	10
11790706	30	23	11930807	16	10	11991601	16	17
11820800	34	13	11930807	32	9	11991601	18	10
11820800	36	14	11930807	34	11	11991601	20	13
11820800	38	13	11930807	36	9	11991601	22	12
11820800	40	19	11930807	38	9	11991601	24	13
11820800	44	14	11930807	44	11	11991601	26	13
11820800	46	14	11930807	46	9	11991601	28	13
11821303	32	15	11931706	16	11	11991601	30	18
11845609	32	21	11949807	2	13	11991601	32	16
11845609	34	20	11949906	2	14	11991601	34	15
11845609	36	21	11974102	10	6	11991601	36	16
11845609	38	20	11983806	16	4	11991601	38	15
11845609	44	21	11983905	16	5	11991601	40	21
11845609	46	21	11984002	16	6	11991601	42	14
11845807	32	22	11984101	16	8	11991601	44	16
11845807	34	21	11984200	16	9	11991601	46	16
11845807	36	22	11984457	16	3	11991809	2	9
11845807	38	21	11984465	16	14	11991809	4	7
11845807	40	26	11987005	30	24	11991809	6	7
11845807	44	22	11988706	40	5	11991809	10	18
11845807	46	22	11988805	40	12	11991809	12	9
11872306	8	5	11988904	40	11	11991809	14	16
11873908	18	4	11989407	40	15	11991809	16	16
11874401	16	7	11991015	36	4	11991809	18	9
11879350	10	5	11991015	38	4	11991809	20	12
11882503	16	21	11991015	44	4	11991809	22	11
11882503	30	22	11991015	46	4	11991809	24	12
11883006	36	19	11991023	32	4	11991809	26	12
11883006	38	18	11991114	36	11	11991809	28	12
11883303	4	11	11991171	36	3	11991809	30	17
11883303	6	11	11991189	36	13	11991908	2	8
11883402	10	3	11991205	36	7	11991908	4	6
11883501	24	16	11991205	44	9	11991908	34	14
11883501	26	16	11991304	32	8	11991908	36	15
11883501	28	16	11991304	34	10	11991908	38	14
11884004	32	19	11991304	36	8	11991908	40	20

NUMERICAL INDEX OF PARTS

PART NO	PAGE	REF NO.	PART NO	PAGE	REF NO.	PART NO	PAGE	REF NO.
11991908	44	15	12112801	42	16	12150306	46	24
11991908	46	15	12114112	30	4	12150413	32	17
11993508	32	10	12121554	42	19	12150413	38	23
11993508	34	6	12122800	2	11	12150702	42	28
11993508	36	10	12122800	4	9	12151262	4	3
11993508	38	10	12122800	34	16	12151262	6	3
11993508	44	8	12122800	36	17	12151353	2	3
11993508	46	10	12122800	40	22	12151361	2	7
11993706	40	4	12122800	42	15	12151403	8	4
11993805	40	14	12122800	44	17	12151460	8	3
11993904	40	18	12123055	10	12	12152559	10	15
11993961	40	3	12123055	12	11	12152559	14	3
11994001	40	17	12123055	14	11	12152765	30	26
11994100	40	13	12123055	16	20	12152781	30	3
11994209	40	9	12123055	18	11	12152856	20	3
11994308	40	16	12123055	20	14	12152856	22	2
11995206	30	14	12123055	22	13	12152856	24	3
11996600	30	11	12123055	24	14	12152856	26	3
11999802	42	21	12123055	26	14	12152856	28	3
12004206	8	8	12123055	28	14	12152963	20	7
12004909	42	22	12123055	30	19	12152963	22	6
12107207	2	1	12123709	30	15	12152963	24	7
12107207	4	1	12124707	8	16	12152963	26	7
12107207	6	1	12124806	8	17	12152963	28	7
12107207	10	13	12124806	42	31	12154365	32	14
12107207	12	6	12124905	8	21	12154456	34	3
12107207	14	13	12124954	8	20	12154464	34	12
12107207	16	1	12125001	8	26	12154555	32	3
12107207	18	1	12125100	8	25	12154555	38	3
12107207	20	1	12125159	8	24	12154563	38	12
12107207	22	1	12125258	8	18	12154852	44	3
12107207	24	1	12125357	8	28	12154860	44	13
12107207	26	1	12133500	42	27	12154951	46	3
12107207	28	1	12133682	42	26	12154969	46	13
12107207	30	1	12147302	6	9	12155552	42	3
12107207	32	1	12147302	8	9	12155560	42	11
12107207	34	1	12147906	32	18	12157103	34	4
12107207	36	1	12147906	38	16	12157319	42	4
12107207	38	1	12147906	46	17	12157806	4	4
12107207	40	1	12149209	14	12	12157806	6	4
12107207	44	1	12149308	16	18	12158002	2	4
12107207	46	1	12149407	30	25	12158002	20	8
12107306	8	1	12150306	36	24	12158002	22	7
12107306	42	1	12150306	40	28	12158002	24	8
12112801	8	19	12150306	44	24	12158002	26	8

NUMERICAL INDEX OF PARTS

PART NO	PAGE	REF NO.	PART NO	PAGE	REF NO.	PART NO	PAGE	REF NO.
12158002	28	8	12171708	6	12	B151581600B	38	5
12159307	4	5	12171807	10	4	B151581600B	44	5
12159307	6	5	12172102	8	11	B151581600B	46	5
12160206	20	5	12172201	8	12	B1530816D00	36	12
12160206	22	4	12172300	8	15	B1657814B0F	24	17
12160206	24	5	12173308	32	20	B1657814B0F	26	17
12160206	26	5	12173407	44	20	B1657814B0F	28	17
12160206	28	5	12173407	46	20	MAQ141000A0	2	18
12160305	10	16	12173506	34	19	MAQ141000A0	18	15
12160305	14	4	12173506	36	20	MAQ141000A0	20	18
12160305	20	9	12173506	38	19	MAQ141000A0	22	17
12160305	22	8	12173704	40	25	MAQ141000A0	24	20
12160305	24	9	12174207	42	18	MAQ141000A0	26	20
12160305	26	9	12176103	10	17	MAQ141000A0	28	20
12160305	28	9	12176103	12	8	MC033600900	2	16
12160800	30	5	12176103	14	15	MC033600900	4	14
12160909	2	6	12176103	16	15	MC033600900	6	6
12160909	20	10	12176103	18	8	MC033600900	18	14
12160909	22	9	12176103	20	11	MC033600900	20	17
12160909	24	10	12176103	22	10	MC033600900	22	16
12160909	26	10	12176103	24	11	MC033600900	24	19
12160909	28	10	12176103	26	11	MC033600900	26	19
12162905	34	5	12176103	28	11	MC033600900	28	19
12163002	32	6	12176202	42	13	MC033600900	44	18
12163002	38	11	12180469	2	17	MC033600900	46	18
12163309	44	7	12180469	4	10	MC033601000	8	14
12163408	46	11	12180469	6	10	MC033601000	34	17
12164000	42	7	12180469	8	10	MC033601000	36	18
12165502	34	9	12180865	34	22	MC033601000	38	17
12165601	32	5	12180865	36	23	MC033601000	40	23
12165601	38	7	12180865	38	22	MC033601300	42	30
12165601	46	7	12180865	40	27	MDC270B1400	2	15
12165908	42	5	12180865	44	23	MDC270B1400	4	13
12167706	32	11	12180865	46	23	MDC270B1400	6	13
12168100	44	12	12181251	42	25	MDC270B1400	18	13
12168100	46	12	B1509804C0B	2	5	MDC270B1400	20	16
12168407	42	6	B150981400P	10	7	MDC270B1400	22	15
12168506	42	9	B1514816000	34	8	MDC270B1400	24	18
12168605	42	10	B1514816000	36	6	MDC270B1400	26	18
12168803	42	12	B1514816000	38	6	MDC270B1400	28	18
12170908	44	19	B1514816000	44	6	MDC270B1400	30	20
12170908	46	19	B1514816000	46	6	MDC270B1400	44	25
12171104	40	24	B1515816000	34	7	MDC270B1400	46	25
12171104	42	17	B151581600B	32	7	MDC270B1600	8	13
12171708	4	12	B151581600B	36	5	MDC270B1600	34	23

NUMERICAL INDEX OF PARTS

PART NO	PAGE	REF NO.	PART NO	PAGE	REF NO.
MDC270B1600	36	25	SS8110422TP	30	16
MDC270B1600	38	24	SS9151210TP	8	27
MDC270B1600	40	29	WP0350516SD	30	7
MDC270B2100	42	29	WP0371016SD	2	12
PS0200062KH	40	8	WP0371016SD	18	12
PS0250062KH	42	20	WP0371016SD	20	15
R4300J0FE00	2	2	WP0371016SD	22	14
R4300J0HE00	4	2	WP0371016SD	24	15
R4300J0KG00	6	2	WP0371016SD	26	15
R4300J0MG00	8	2	WP0371016SD	28	15
R4305J0DE00	10	14	WP0371026SD	16	13
R4305J0DE00	18	2	WP0371026SD	40	6
R4305J0DE00	20	2			
R4305J0DE00	24	2			
R4305J0DE0A	10	2			
R4305J0FE00	12	7			
R4306J0DE00	14	2			
R4306J0EE00	14	14			
R4306J0FE00	16	2			
R4308J0FE0B	30	2			
R4405J0EE00	26	2			
R4406J0EE00	28	2			
R4608J0FG00	34	2			
R4612J0FD0A	44	2			
R4612J0FF00	36	2			
R4612J0FF00	40	2			
R4612J0FK00	42	2			
R4617J0HD00	32	2			
R4617J0HD0A	46	2			
R4617J0HG00	38	2			
SS4080610SP	18	7			
SS6060340SP	32	12			
SS6080410SP	30	13			
SS6090620TP	40	10			
SS6090650SP	32	13			
SS7080520SP	16	12			
SS7080520SP	30	6			
SS7080520SP	40	7			
SS7091110TP	2	19			
SS7091110TP	18	16			
SS7091110TP	20	19			
SS7091110TP	22	18			
SS7091110TP	24	21			
SS7091110TP	26	21			
SS7091110TP	28	21			