

MODEL : MCS-1500

List No : 6043-00

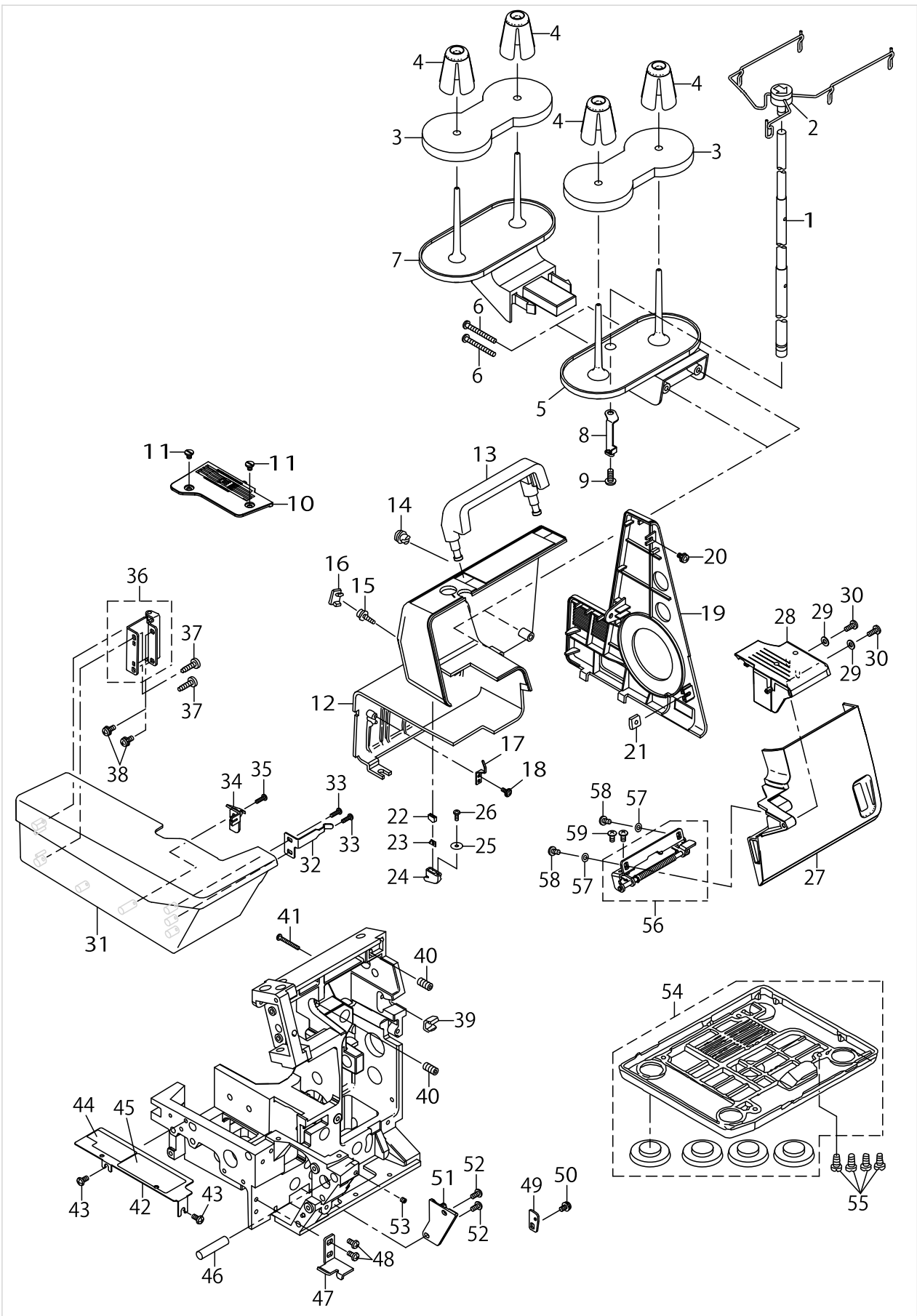
PARTS LIST

Published:09/10/2017

CONTENTS

FRAME COMPONENTS	1
MAIN SHAFT COMPONENTS	5
NEEDLE BAR & PRESSER FOOT COMPONENTS.....	7
TENSION RELEASE COMPONENTS	11
FEED MECHANISM COMPONENTS.....	13
CHAIN LOOPER COMPONENTS.....	19
LOOPER THREAD TENSION COMPONENTS	21
NEEDLE THREAD TENSION COMPONENTS	23
LAMP, MOTOR & CONTROLLER COMPONENTS.....	25
ACCESSORIES PARTS & OPTION COMPONENTS.....	27
HOW TO MAKE USE OF THIS PARTS LIST	29

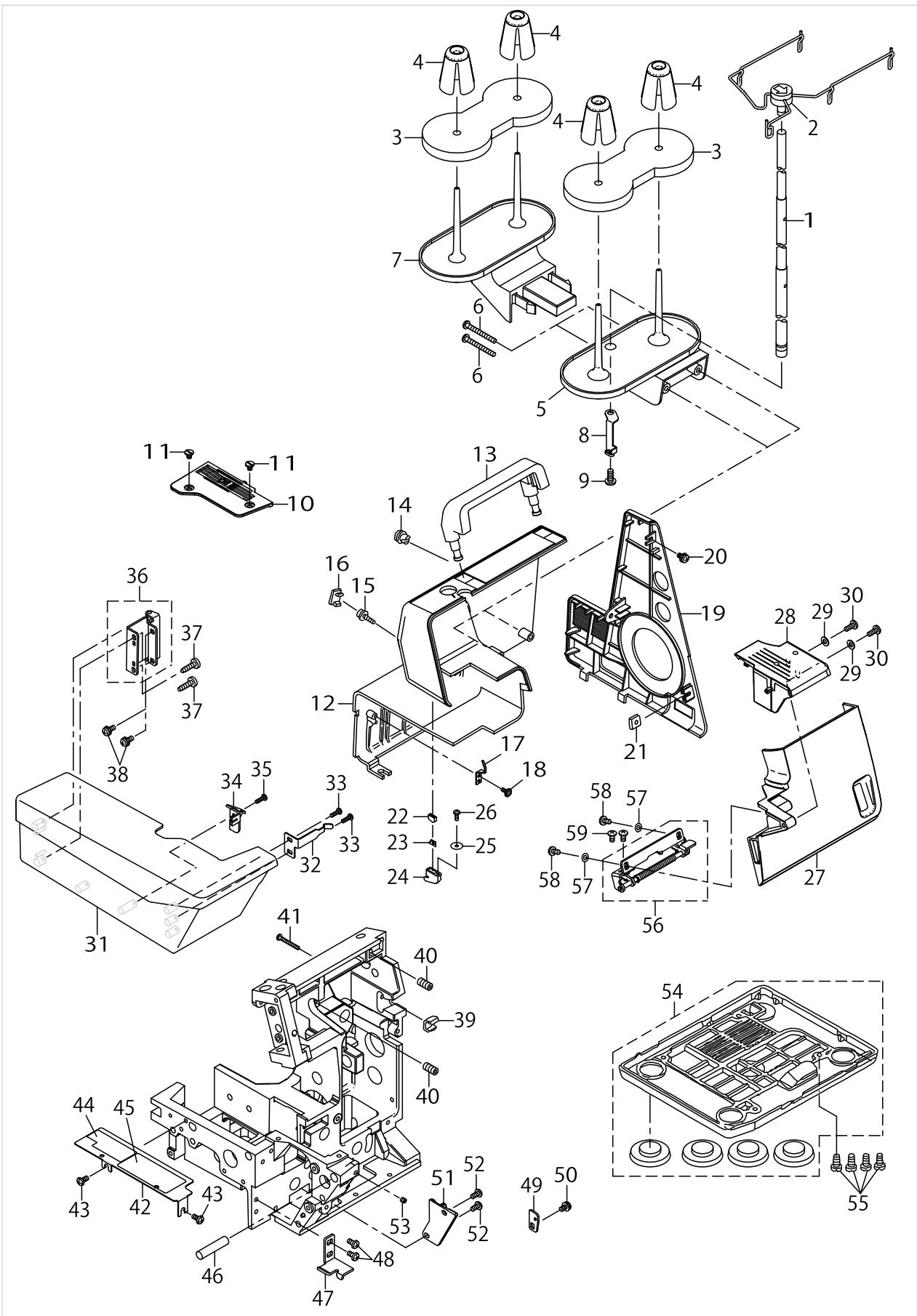
FRAME COMPONENTS



FRAME COMPONENTS

No.	Parts No.	Parts name	Remarks	Level	Cons	Qty
1	40082787	THREAD_GUIDE_POST_L				1
2	40122701	ASSY_SPOOL_THREAD_GUIDE				1
3	A1121202000	SPOOL REST CUSHION				2
4	A1120202000	SPOOL RETAINER				4
5	A1118644000A	SPOOL HOLDER				1
6	SM5043755SC	SCREW				2
7	A1119644000A	SPOOL HOLDER (B)				1
8	A11213150A0A	SPOOL HOLDER THREAD GUIDE ASM.				1
9	SM5051255SN	SCREW				1
10	40122000	THROAT PLATE				1
11	A1138335000	THROAT PLATE SETSCREW				2
12	40131485	REAR_COVER				1
13	A1145523000	HANDLE				1
14	A1124644000	COVER CAP A				1
15	SL5031031SN	SCREW				1
16	A1146644000	COVER CAP B				1
17	A1147535000	THREAD GUIDE				1
18	ST5030851SN	SCREW M5X8				1
19	A1103C09000	BELT COVER				1
20	SL4040831SF	SCREW M4 L=8				1
21	A3151535000	FRONT COVER NUT				1
22	A11399DC000B	THREAD CUTTER HOLDER				1
23	A3120031000	THREAD CUTTER BLADE				1
24	A11389DC000	THREAD CUTTER BASE PLATE				1
25	WP0320501SC	WASHER M3				1
26	ST5030851SN	SCREW M5X8				1
27	40174063	LOOPER_COVER_MCS1500				1
28	40121988	SUPPORT BED ASSY				1
29	WP0430801SC	WASHER M4				2
30	ST5041051SN	SCREW				2
31	A1104523000A	CLOTH PLATE				1
32	A1160524000	CLOTH PLATE STOPPER SPRING				1
33	ST5031051SN	TAPPING SCREW				2
34	A21549DC000	RELEASE PLATE				1
35	ST5031051SN	TAPPING SCREW				1
36	A11615350A0	CLOTH PLATE HINGE ASM.				1
37	ST5041051SN	SCREW				2
38	SL4040855SN	SCREW M4 L=8				2
39	A3150535000	FRONT COVER ASM. PLATE				1
40	SM8050842TP	SETSCREW				2
41	SM5032555SE	SCREW M3 L=25				1
42	A1135535000	OP COVER				1
43	SM5040855SN	SCREW				2
44	A9196524000	CAUTION LABEL				1
45	40122010	LOOPER_THREADING_CHART				1
46	A4125655000	GUIDE SHAFT				1
47	A1164535000	CLOTH PLATE PRESSER PLATE (G)				1

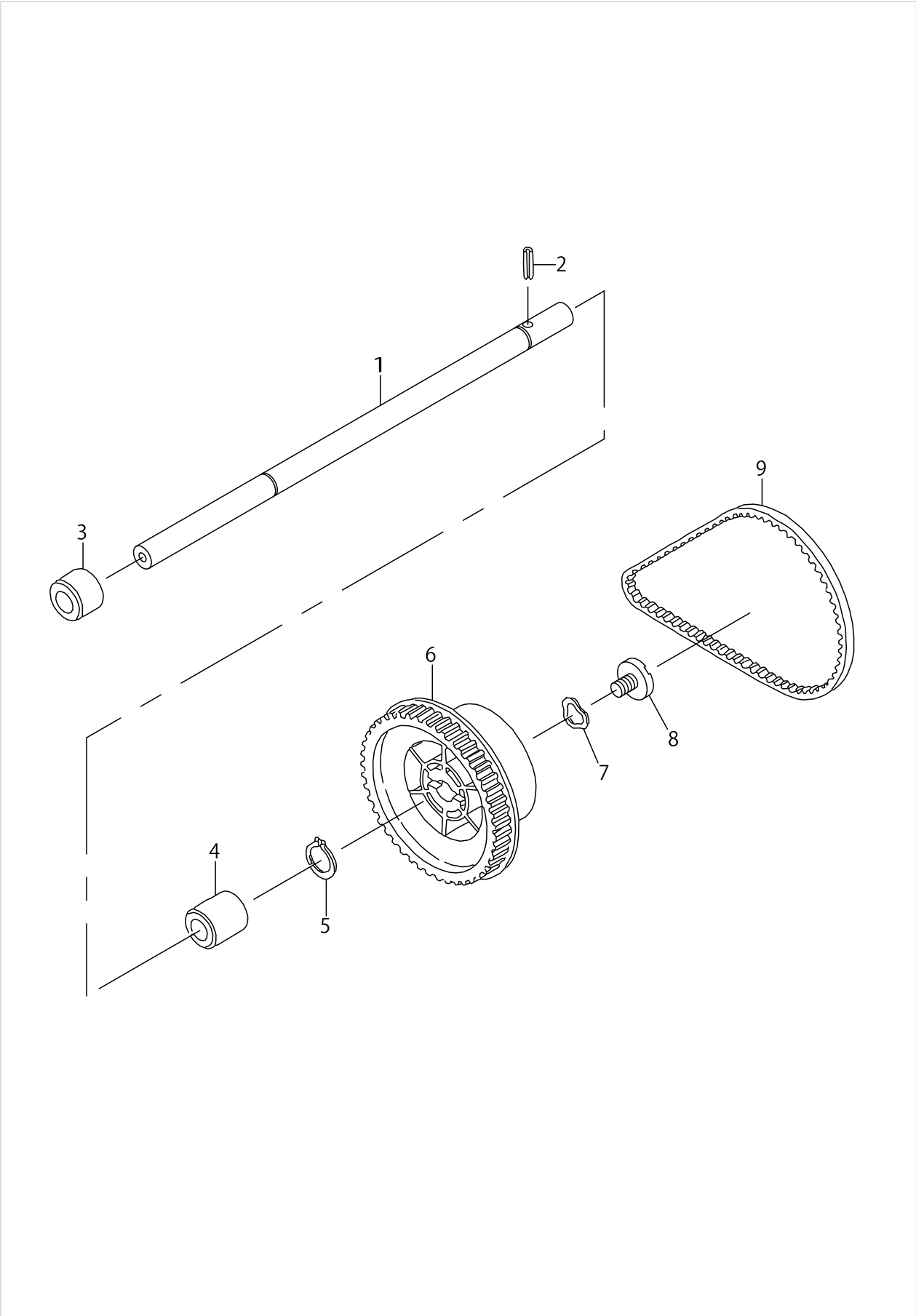
FRAME COMPONENTS



FRAME COMPONENTS

No.	Parts No.	Parts name	Remarks	Level	Cons	Qty
48	SM5040855SN	SCREW				2
49	A2538554000	PLATE				1
50	SL4040855SN	SCREW M4 L=8				1
51	A1156523000	LOOPER COVER GUIDE				1
52	SM4040855SN	SCREW M4 L=8				2
53	SM8040402TP	SCREW M4X0.7 L=4				2
54	A11025340A0A	BASE PLATE ASM.				1
55	SM5051255SN	SCREW				4
56	A11535030AC	LOOPER COVER HINGE ASM.				1
57	WP0430801SC	WASHER M4				2
58	ST5041051SN	SCREW				2
59	SM5040855SN	SCREW				2

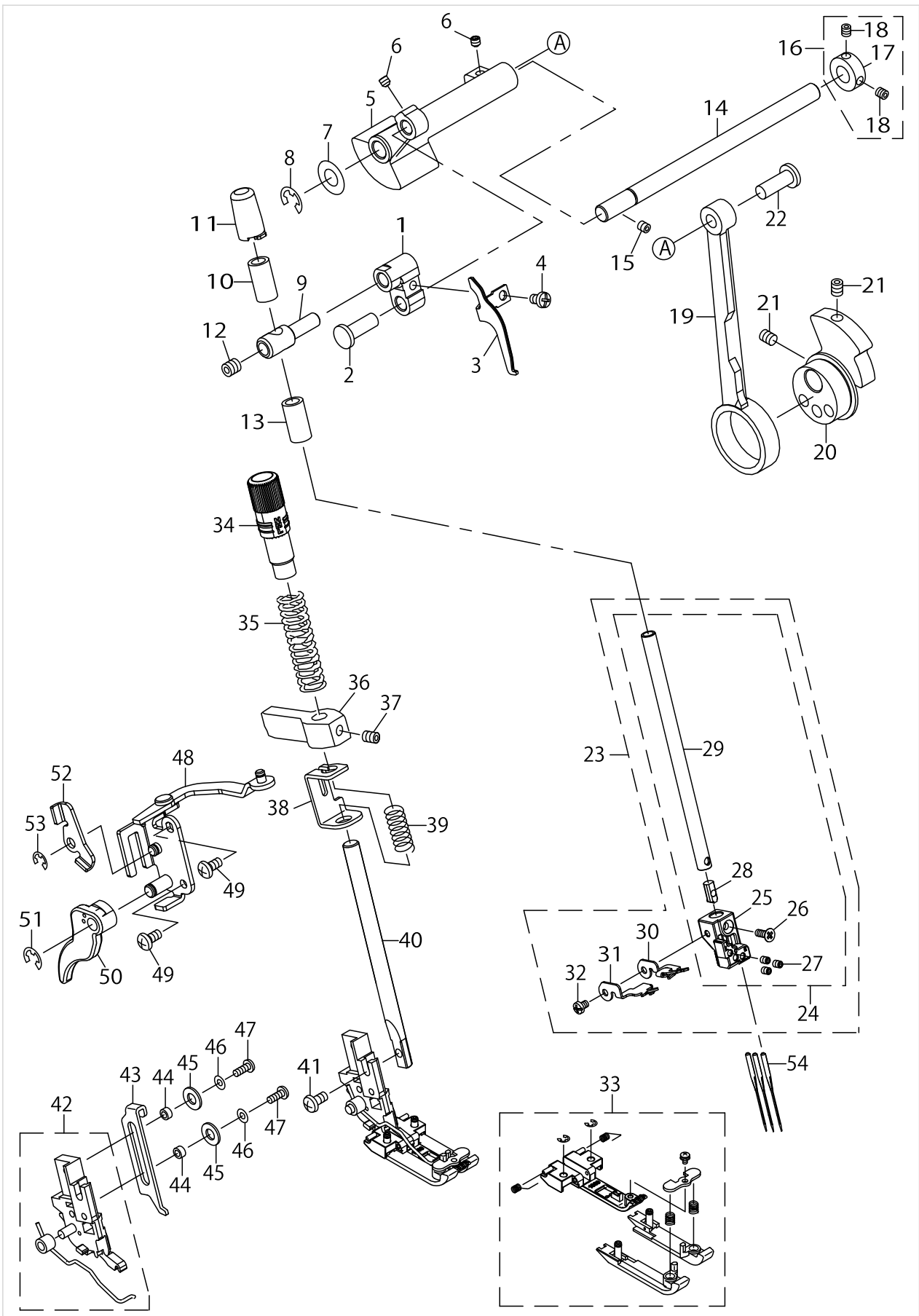
MAIN SHAFT COMPONENTS



MAIN SHAFT COMPONENTS

No.	Parts No.	Parts name	Remarks	Level	Cons	Qty
1	40071774	MAIN SHAFT				1
2	PS0400222KP	SPRING PIN				1
3	A1206335000	MAIN SHAFT BUSHING FRONT				1
4	A1206202000	MAIN SHAFT BUSHING				1
5	A1206102000	C RING				1
6	A1202113000	HAND WHEEL				1
7	A1206535000	HANDWHEEL WASHER				1
8	A1230500000A	HANDWHEEL SETSCREW				1
9	A1205634000	TIMING BELT				1

NEEDLE BAR & PRESSER FOOT COMPONENTS



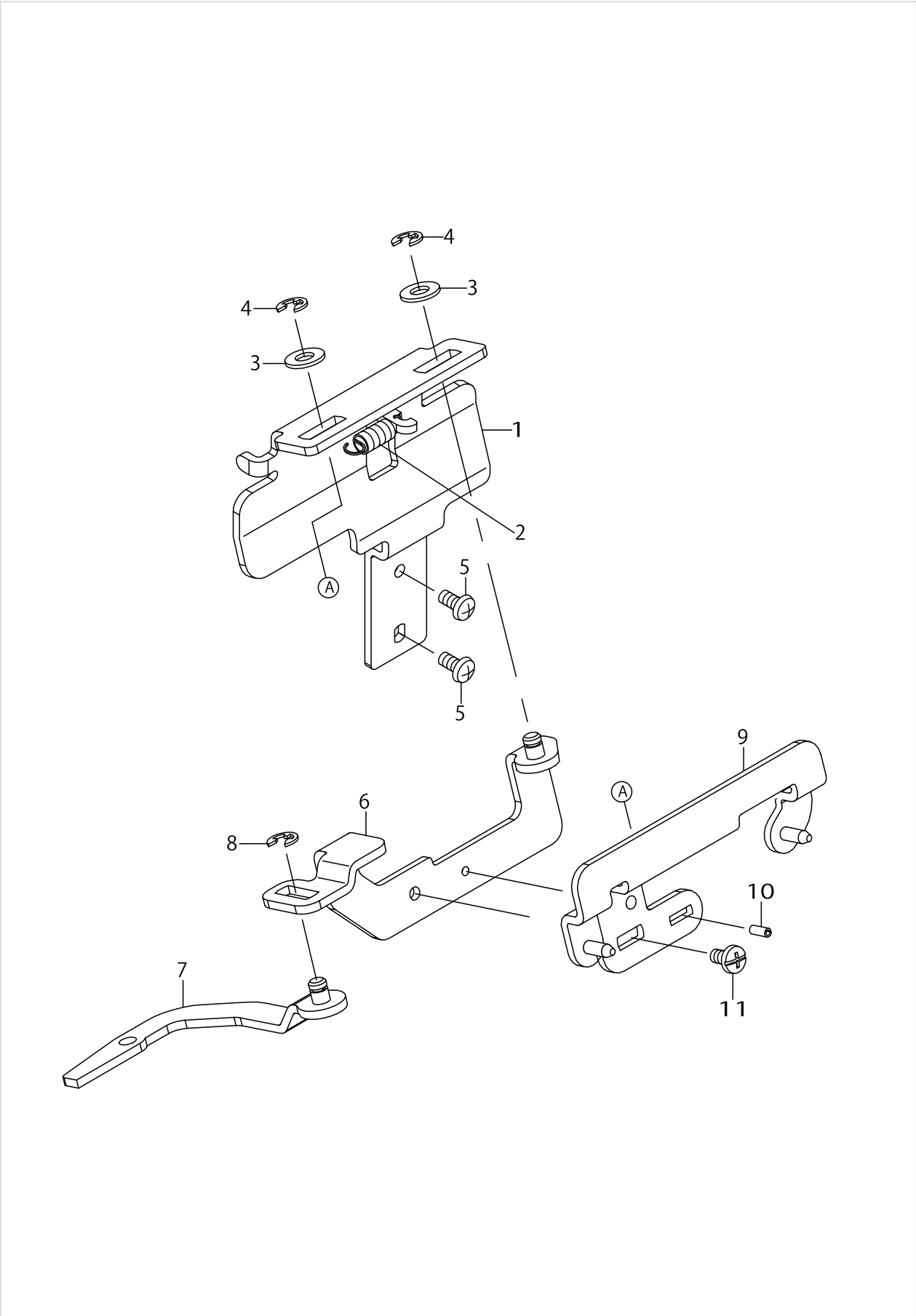
NEEDLE BAR & PRESSER FOOT COMPONENTS

No.	Parts No.	Parts name	Remarks	Level	Cons	Qty
1	A1412535000	NEEDLE BAR LINK				1
2	A1403102000	CONNECTING PIN				1
3	A1412130000	NEEDLE THREAD TAKE-UP				1
4	SM5030555SC	SCREW				1
5	A1402535000	NEEDLE BAR CRANK				1
6	SM8040402TP	SCREW M4X0.7 L=4				2
7	WP0820516SP	WASHER 11.6X8.2X0.6				1
8	RE0600000K0	E-RING 6				1
9	A1411335000	CLOTH PLATE FIXING SPRING				1
10	A1407102000	NEEDLE BAR BUSHING, LOWER				1
11	A1415523000	NEEDLE BAR CAP				1
12	SM8060602TP	SCREW M6X6				1
13	A1407102000	NEEDLE BAR BUSHING LOWER				1
14	A1404535000	NEEDLE BAR DRIVING SHAFT				1
15	SM8040402TP	SCREW M4X0.7 L=4				1
16	A14145020A0	THRUST COLLAR ASM.				1
17	A1414502000	THRUST COLLAR		*		1
18	SM8040402SP	SCREW		*		2
19	A1403335000A	NEEDLE BAR CRANK ROD				1
20	A1401535000A	NEEDLE BAR DRIVING CAM				1
21	SM8050602TP	SCREW M5 L=6				1
22	A1403102000	CONNECTING PIN				1
23	40121997	ALL_ASSY_NEEDLE BAR				1
24	40121998	ASSY_NEEDLE BAR		*		1
25	40121999	NEEDLE_CLANP		*		1
26	SM1030801SN	SCREW M3X0.5 L=8		*		1
27	40125265	SCREW_M3X5		*		3
28	40123324	NEEDLE_BAR_STOPPER		*		1
29	40123323	NEEDLE_BAR		*		1
30	40121972	NEEDLE BAR THREAD GUIDE		*		1
31	40127196	NEEDLE BAR THREAD GUIDE_B		*		1
32	SM4030455SN	SCREW		*		1
33	40122001	ALL ASSY COVER STITCH FOOT				1
34	40139206	PRESSER_ADJUST_SCREW				1
35	A1501C09000	PRESSER BAR SPRING				1
36	A1502C09000	PRESSER BAR GUIDE BRACKET				1
37	SM8050402TP	SCREW				1
38	A1522110000	PRESSER LIFT PLATE				1
39	A1523110000	SPRING				1
40	A1507C09000	PRESSER BAR				1
41	SM5040855SN	SCREW				1
42	A1514C090B0B	PRESSER FOOT SHANK ASM.				1
43	A1520130000	LINK				1
44	A152111000C	PRESSER FLOAT LINK COLLAR				2
45	WP0531001SC	WASHER M5				2
46	WP0320501SC	WASHER M3				2
47	SM5030855SN	SCREW				2

NEEDLE BAR & PRESSER FOOT COMPONENTS

No.	Parts No.	Parts name	Remarks	Level	Cons	Qty
48	A15049DC0B0	HANDLIFTING LEVER INSTLLING BASE ASM.				1
49	SM4040855SN	SCREW M4 L=8				2
50	40127201	LIFTING LEVER				1
51	RE0500000K0	E-RING				1
52	A15729DC000	THR.TENS.RELEASE DRIVING ARM				1
53	RE0400000K0	E-RING 4				1
54	MC221500800	NEEDLE(130/705H 15X1H)#80				3

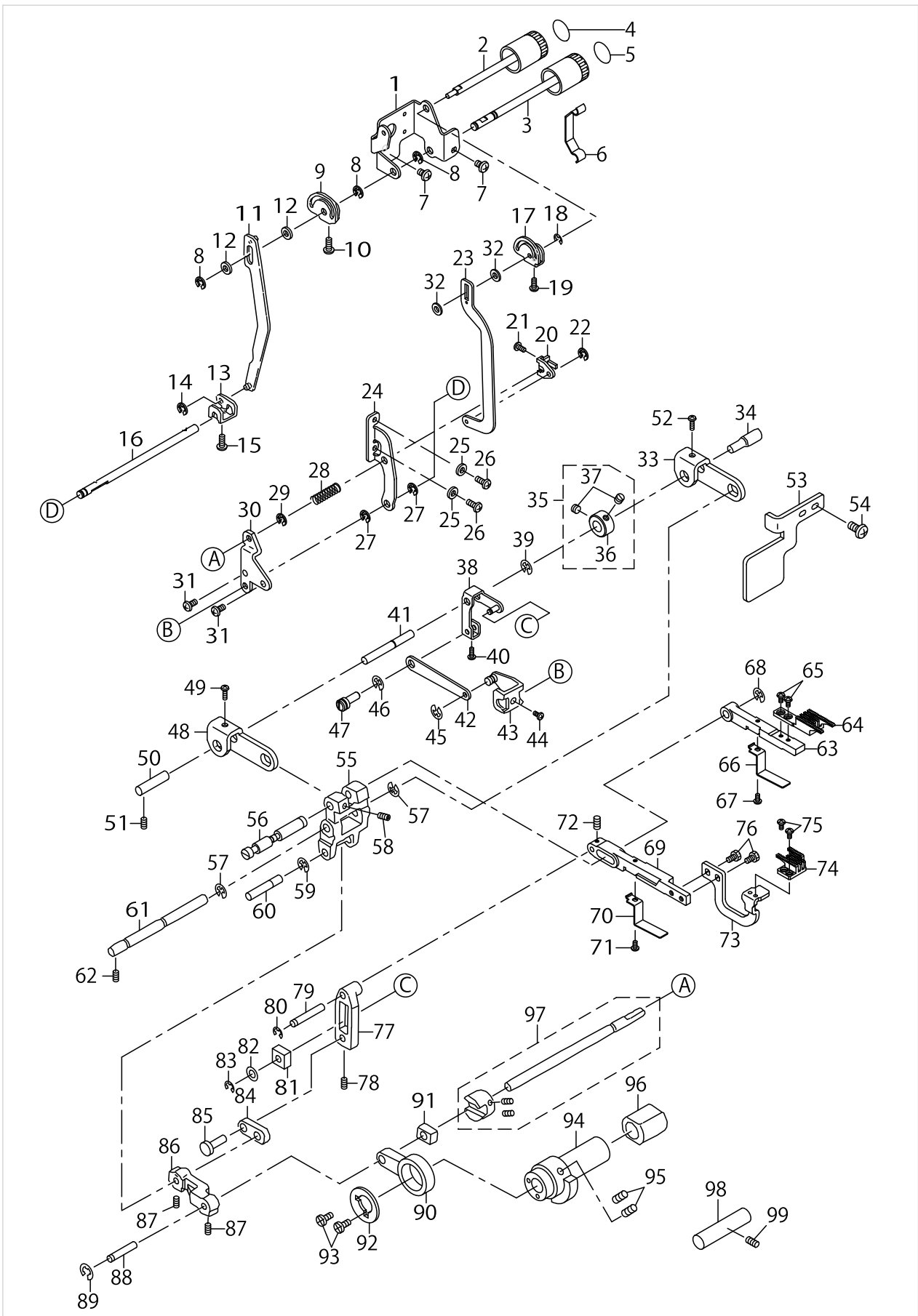
TENSION RELEASE COMPONENTS



TENSION RELEASE COMPONENTS

No.	Parts No.	Parts name	Remarks	Level	Cons	Qty
1	A15789DC000	THR TENS REL MOVING LINK BASE				1
2	A15779DC000	SPRING				1
3	WP0430801SC	WASHER M4				2
4	RE0300000K0	E-RING 3				2
5	SM5030655SF	SCREW M3 L=6				2
6	40121981	THR TENS RELEASE ADJ ARM ASSY				1
7	A15739DC0A0	THR TENS RELEASE LINK ASM.				1
8	RE0300000K0	E-RING 3				1
9	40121983	THR TENS REL MOVING LINK ASSY				1
10	PS0200052KP	SPRING PIN TYPE W 2X5				1
11	SM5030655SF	SCREW M3 L=6				1

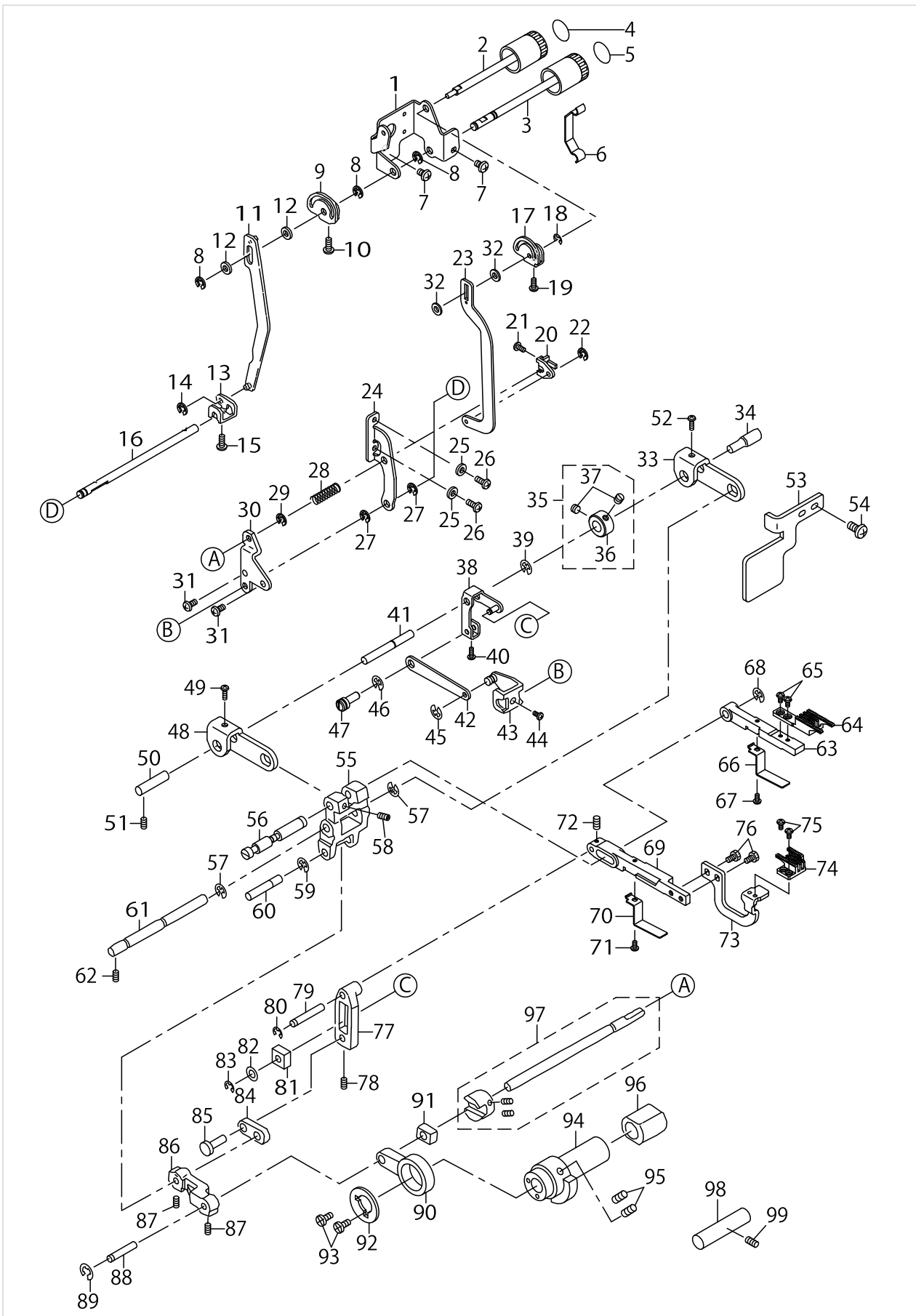
FEED MECHANISM COMPONENTS



FEED MECHANISM COMPONENTS

No.	Parts No.	Parts name	Remarks	Level	Cons	Qty
1	A16109DC000	ADJUSTING KNOB BASE PLATE				1
2	A1601556D00B	MAIN FEED ADJUSTING KNOB				1
3	A1602534D00B	DIFFERENTIAL FEED ADJUSTING KNOB				1
4	A160365DE00	SEAL				1
5	A1604534D00A	LABEL DIFFERENTIAL FEED				1
6	A1611655000	KNOB HOLDING PLATE				1
7	SM5040655SN	SCREW				2
8	RE0400000K0	E-RING 4				3
9	A1615534D00	DIFFERENTIAL FEED ADJUSTING CAM				1
10	SM5030855SN	SCREW				1
11	A1620534DA0	DIFFERENTIAL FEED ADJUSTING LINK ASM.				1
12	A1614534D00	COLLAR				2
13	A165534D00	DIFFERENTIAL FEED ADJUSTING ARM C				1
14	RE0300000K0	E-RING 3				1
15	SM5030655SN	SCREW M3X0.5 L=6				1
16	A1662655000A	SHAFT				1
17	A1613655000	MAIN FEED ADJUSTING CAM				1
18	RE0400000K0	E-RING 4				1
19	SM5030855SN	SCREW				1
20	A1630534D00	MAIN FEED ADJUSTING ARM				1
21	SM5030655SN	SCREW M3X0.5 L=6				1
22	RE0300000K0	E-RING 3				1
23	A16196550A0	MAIN FEED ADJUSTING LINK ASM.				1
24	A1634655000A	FEED ADJ.SHAFT SUPPORT PLATE				1
25	WP0430801SC	WASHER M4				2
26	SM5041055SN	SCREW M4X10				1
27	RE0500000K0	E-RING 5				2
28	A1633534D00	SPRING				1
29	RE0500000K0	E-RING 5				1
30	A1635534D00	FEED ADJUSTING BEARING				1
31	SM5041055SN	SCREW M4X10				1
32	A1614655000	WASHER				2
33	A1660534D00A	DIF.FEED SHAFT HOLDER				1
34	A1664655000	DIFFERENTIAL FEED SHAFT B				1
35	A16637760A0	FULCRUM SHAFT COLOR ASM.				1
36	A1663776000	FULCRUM SHAFT COLOR		*		1
37	SM8030302TP	SCREW M3X0.5 L=3		*		2
38	A16618000A0	DIFFERENTIAL FEED ADJUSTING ARM A ASM.				1
39	RE0500000K0	E-RING				1
40	SM5030855SN	SCREW				1
41	A1659534D00A	SHAFT				1
42	A1653776000	DIF.FEED ADJUSTING LINK A				1
43	A1657534DA0	DIF.FEED ADJUSTING ARM B ASM.				1
44	SM5030655SN	SCREW M3X0.5 L=6				1
45	RE0300000K0	E-RING 3				1
46	RE0500000K0	E-RING 5				1
47	A1654776000A	ECCENTRIC PIN				1

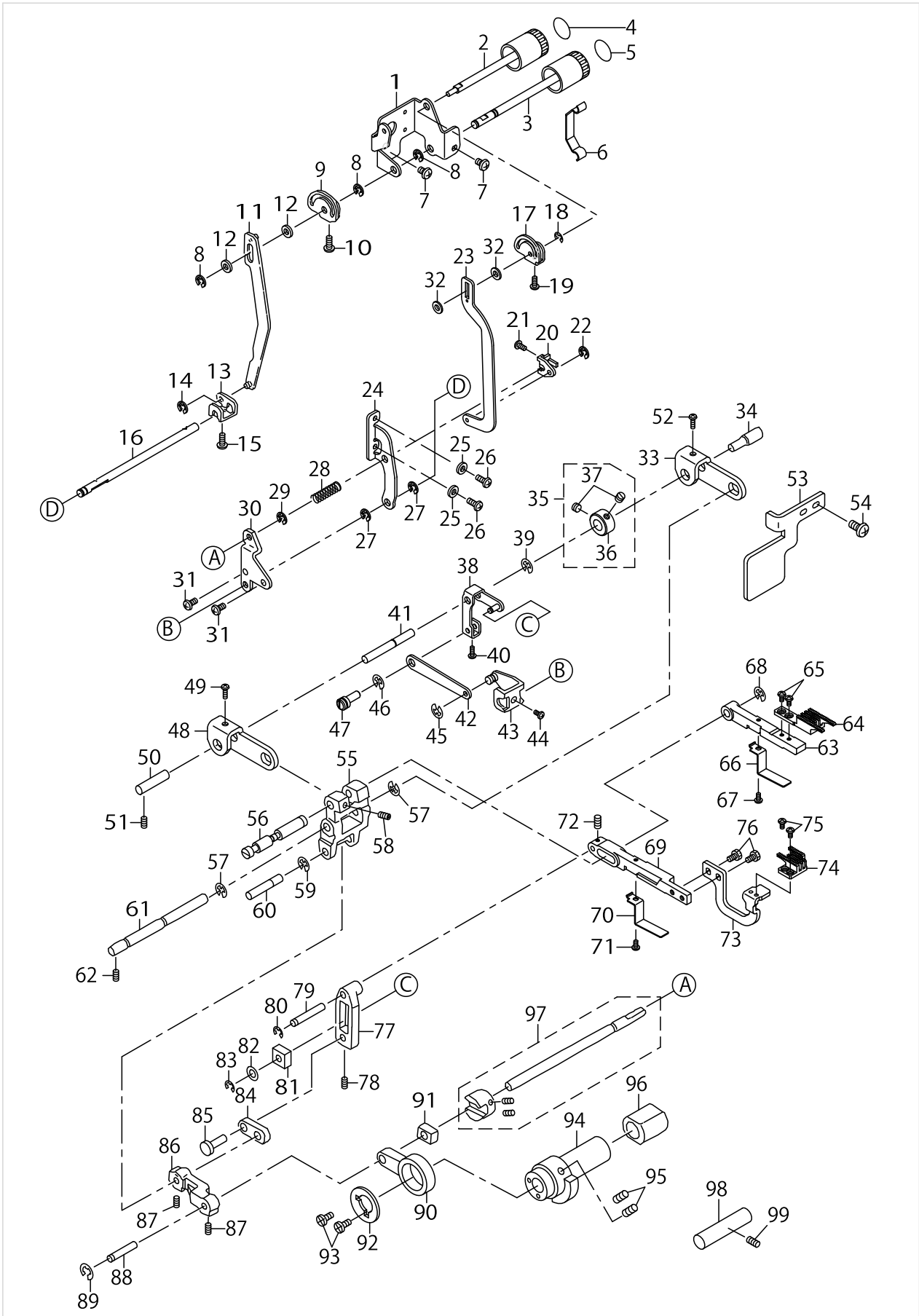
FEED MECHANISM COMPONENTS



FEED MECHANISM COMPONENTS

No.	Parts No.	Parts name	Remarks	Level	Cons	Qty
48	A1660534D00A	DIF.FEED SHAFT HOLDER				1
49	SM5031001SE	SCREW M3 L=10				1
50	A1663534D00	DIF.FEED SHAFT A				1
51	SM8040402TP	SCREW M4X0.7 L=4				1
52	SM5031001SE	SCREW M3 L=10				1
53	A1613535000	FEED BASE GUIDE PLATE				1
54	SM4040655SN	SCREW M4X0.7 L=6				1
55	A1645534D00	MAIN FEED ARM				1
56	A1646534D00	BASE SUPPORTING SHAFT				1
57	RE0500000K0	E-RING				1
58	SM8040402TP	SCREW M4X0.7 L=4				1
59	RE0400000K0	E-RING 4				1
60	A1641534D00	SHAFT				1
61	A1647534D00	MAIN FEED SHAFT				1
62	SM8040402TP	SCREW M4X0.7 L=4				1
63	A1625800000	FEED BASE				1
64	A1627C09000	MAIN FEED DOG				1
65	SM4030655SP	SCREW				1
66	A1616030Z00	SPRING				1
67	SM4030655SP	SCREW				1
68	RE0500000K0	E-RING				1
69	A1639800000	DIFFERENTIAL FEED BASE				1
70	A1616030Z00	SPRING				1
71	SM4030655SP	SCREW				1
72	SM8030302TP	SCREW M3X0.5 L=3				1
73	A1648655000	DIFFERENTIAL FEED DOG FITTING BASE				1
74	A1642C09000	DIFFERENTIAL FEED DOG				1
75	SM4030655SP	SCREW				2
76	SM9040700SP	HEXAGONAL BOLT				2
77	A1651534D00	DIFFERENTIAL FEED ARM				1
78	SM8030402TP	SCREW M3X0.5 L=4				1
79	A1665534D00	SHAFT				1
80	RE0300000K0	E-RING 3				1
81	A1652534D00	DIFFERENTIAL FEED SLIDE BLOCK				1
82	WP0430801SC	WASHER M4				1
83	RE0300000K0	E-RING 3				1
84	A1650534D00	DIFFERENTIAL FEED LINK				1
85	A2529335000	UPPER LOOPER ARM PIN				1
86	A1640534D00	MAIN FEED LINK				1
87	SM8030402TP	SCREW M3X0.5 L=4				1
88	A1639534D00	SHAFT				1
89	RE0400000K0	E-RING 4				1
90	A1616534D00	MAIN FEED ROD				1
91	A1638776000	MAIN FEED MAIN FEED				1
92	A1618534D00	THRUST PLATE				1
93	A1618534D0A	SCREW				2
94	A1617534D00A	MAIN FEED CAM				1

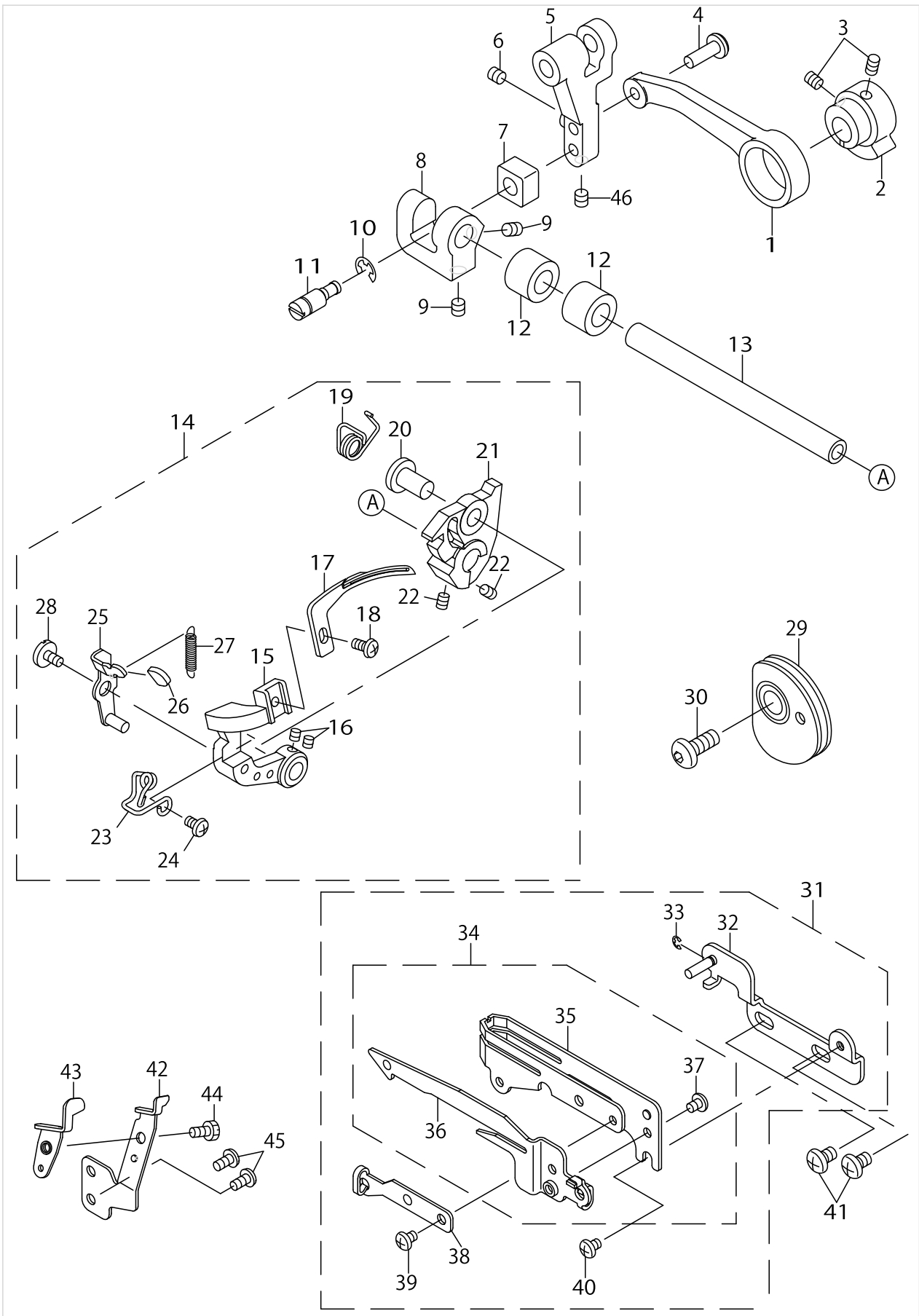
FEED MECHANISM COMPONENTS



FEED MECHANISM COMPONENTS

No.	Parts No.	Parts name	Remarks	Level	Cons	Qty
95	SM8040612TP	SCREW M4 L=6				2
96	A1630535000	VERTICAL FEED SLIDE BLOCK				1
97	A1637534DA0	FEED REGULATOR ASM.				1
98	A1612535000	FEED BASE GUIDE ROD				1
99	SM8040402TP	SCREW M4X0.7 L=4				1

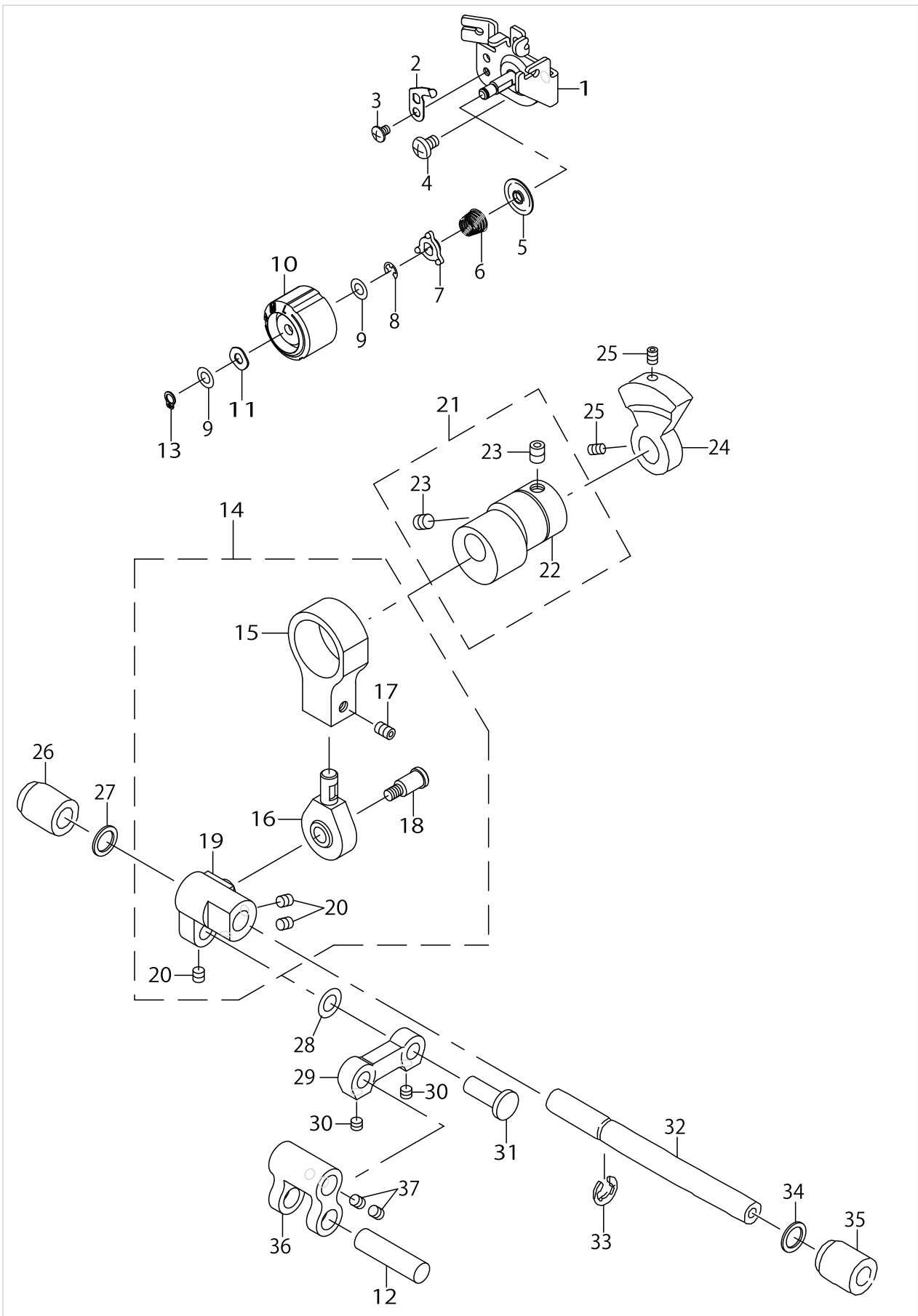
CHAIN LOOPER COMPONENTS



CHAIN LOOPER COMPONENTS

No.	Parts No.	Parts name	Remarks	Level	Cons	Qty
1	A2105535000	CHAIN STITCHING LENGTHWISE				1
2	A21039DC000	DOUBLE-CHAIN OSC.CAM				1
3	SM8040412TP	SET SCREW M4 L=4				2
4	A2529335000	UPPER LOOPER ARM PIN				1
5	A2114535000	CHAIN STITCHING LENGTHWISE				1
6	SM8040402TP	SCREW M4X0.7 L=4				1
7	A2116535000	CHAIN STITCHING SLIDING BLOCK				1
8	A2113535000A	CHAIN STITCHING HOLD BLOCK				1
9	SM8040402TP	SCREW M4X0.7 L=4				2
10	RE0400000K0	E-RING 4				1
11	A2115655000	CHAIN STITCHING SLIDING BLOCK				1
12	A1675335000	HORI. FEED SHAFT METAL FRONT				2
13	A2107655000	CHAIN LOOPER SHAFT				1
14	40122704	ALL_ASSY_DOUBLE_CHAIN_LOOPER				1
15	A21519DC000A	D-CHAIN LOOPER SUPPORTING ARM A		*		1
16	SM8030302TP	SCREW M3X0.5 L=3		*		2
17	A21099DC000	D-CHAIN LOOPER		*		1
18	SM5030655SN	SCREW M3X0.5 L=6		*		1
19	A2158655000	SPRING		*		1
20	A2155655000A	D-CHAIN LOOPER SUPPORTING SHAFT		*		1
21	A21529DC000	D-CHAIN LOOPER SUPP.ARM B		*		1
22	SM8040602TP	SCREW M4X0.7 L=6		*		2
23	A21659DC000	LOOPER MIDDLE THREAD GUIDE		*		1
24	SM5030555SC	SCREW		*		1
25	A21536550A0	D-CHAIN LOOPER SUPP.ARM LATCH ASM.		*		1
26	A116731500AA	THREAD SLIPPER CAP		*		1
27	A2159655000	SPRING		*		1
28	A2156655000	SCREW		*		1
29	40121975	CHAIN LOOPER TAKE UP ASSY				1
30	A2138335000	SCREW				1
31	A21309DC0B0	LOOPER TAKE-UP GUIDE MAS.ASM.				1
32	A21326550A0	D-CHAIN LOOP.TATE-UP BASE PLATE ASM.		*		1
33	RE0200000K0	E-RING 2		*		1
34	A21306550A0	D-CHAINLOOP.TATE-UPGUIDE(1)ASM.		*		1
35	A2130655000	D-CHAIN LOOP.TATE-UP GUIDE(1)		*		1
36	A21316550A0	TAKE-UP GUIDE(2)ASM.		*		1
37	SM0030401SC	SCREW M3 L=4		*		1
38	A21349DC000	LOWER THREAD GUIDE PLATE		*		1
39	SM4030455SN	SCREW		*		1
40	SM4030455SN	SCREW		*		1
41	SM4040655SN	SCREW M4X0.7 L=6				2
42	A21619DC000	NEEDLE GUARD (BACK)				1
43	A21609DC000	NEEDLE GUARD (FRONT)				1
44	SM9030650SN	SCREW				1
45	SM5030655SN	SCREW M3X0.5 L=6				2
46	SM8040402TP	SCREW M4X0.7 L=4				1

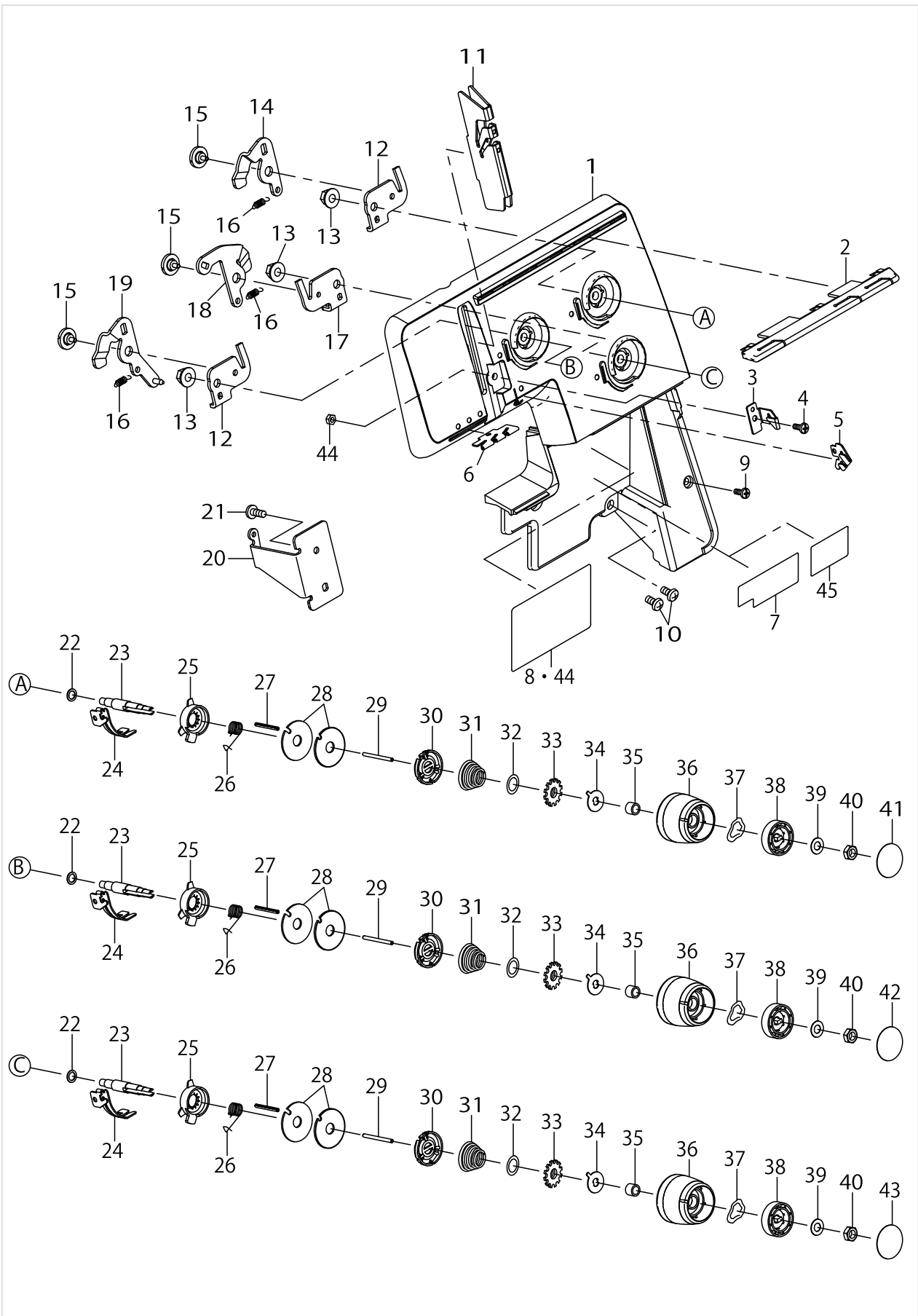
LOOPER THREAD TENSION COMPONENTS



LOOPER THREAD TENSION COMPONENTS

No.	Parts No.	Parts name	Remarks	Level	Cons	Qty
1	A21409DC0A0	UNDER THREAD BASE PLATE ASM.				1
2	A21439DC000	U.THR.TENS.DIAL LATCH SPRING				1
3	SM0030401SC	SCREW M3 L=4				1
4	SM4040655SN	SCREW M4X0.7 L=6				1
5	A21459DC000	LOOPER THREAD TENSION DISC				1
6	40133733	SPRING				1
7	A21429DC000	UNDER THR.TENS.SPRING P. PLATE				1
8	RE0300000K0	E-RING 3				1
9	WP0430801SC	WASHER M4				2
10	A21469DC000B	UNDER THREAD TENSION DIAL				1
11	A1424777000	WASHER				1
12	A2111335000	CHAIN LOOPER SLIDE SHAFT				1
13	A3139776000	C-RING				1
14	A25159DC0A0	LOWER LOOPER ROD ASM.				1
15	A2515534000A	LOWER LOOPER ROD		*		1
16	A2503776000	CONNECTING ROD		*		1
17	SM8040602TP	SCREW M4X0.7 L=6		*		1
18	A2504776000	CONNECTING SCREW		*		1
19	A25169DC000	LOOPER DRIVING ARM		*		1
20	SM8040402TP	SCREW M4X0.7 L=4		*		3
21	40079646	LOWER LOOPER CAM ASM.				1
22	A251453400C	40079646		*		1
23	SM8050612TP	SCREW M5X6		*		2
24	A2550534000C	LOOPER BALANCER				1
25	SM8030612TP	SET SCREW				2
26	A2112204000	SUB FEED ADJUSTING METAL				1
27	WP0820516SP	WASHER 11.6X8.2X0.6				1
28	WP0641600SD	WASHER M6				1
29	A2101535000	CHAIN LOOPER ROCKING ROD				1
30	SM8040402TP	SCREW M4X0.7 L=4				2
31	A1403102000	CONNECTING PIN				1
32	A25219DC000	LOOPER SHAFT				1
33	RE0600000K0	E-RING 6				1
34	WP0820516SP	WASHER 11.6X8.2X0.6				1
35	A2112204000	SUB FEED ADJUSTING METAL				1
36	A21029DC000	DOUBLE-CHAIN OSC.ARM				1
37	SM8040402TP	SCREW M4X0.7 L=4				2

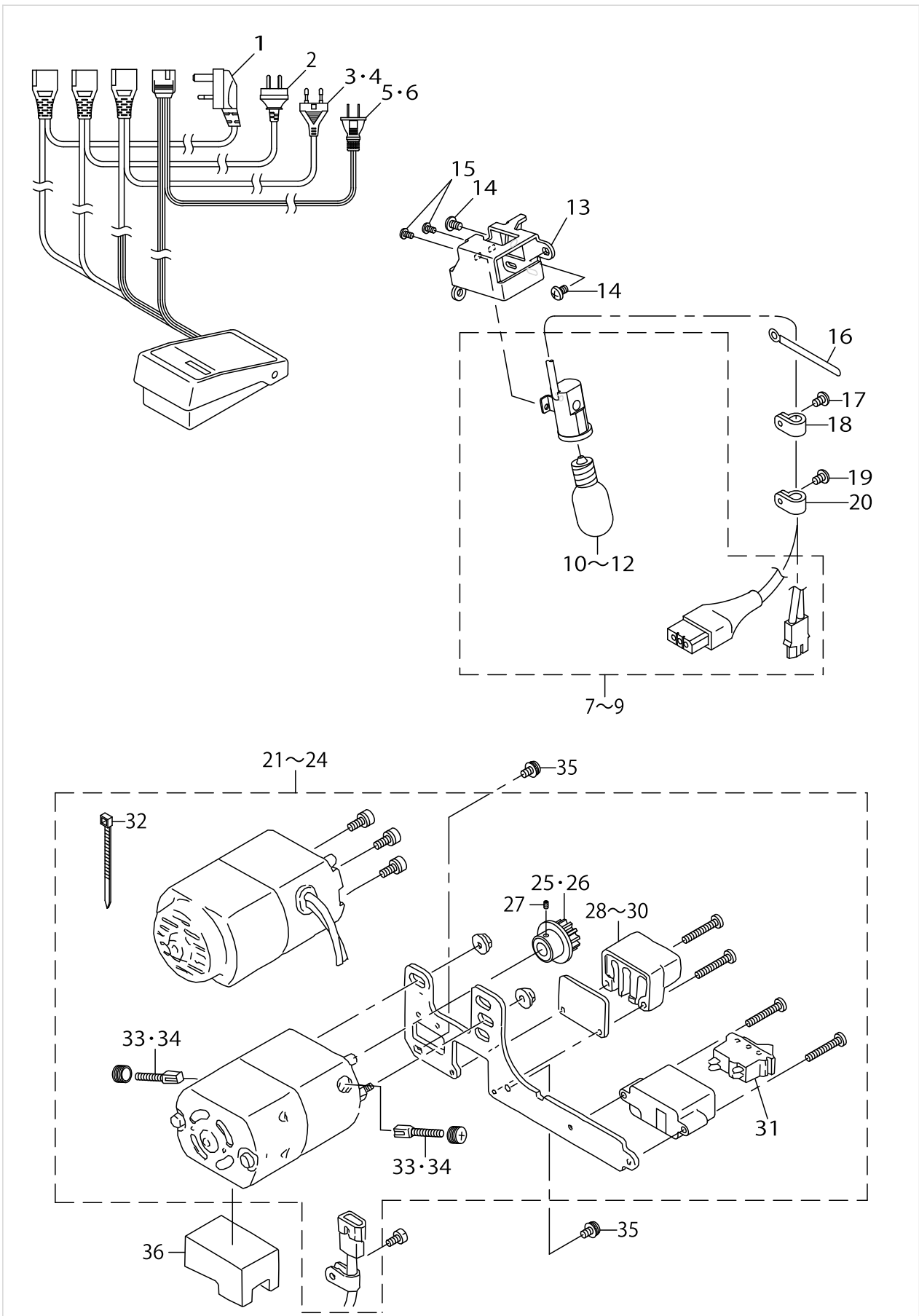
NEEDLE THREAD TENSION COMPONENTS



NEEDLE THREAD TENSION COMPONENTS

No.	Parts No.	Parts name	Remarks	Level	Cons	Qty
1	40121995	FRONT COVER				1
2	40122707	ALL_ASSY_1ST_THREAD_GUIDE				1
3	40127197	THREAD_GUIDE_A				1
4	SM5030855SN	SCREW				1
5	40127198	THREAD_GUIDE_B				1
6	40121973	NEEDLE THREAD GUIDE				1
7	A9196524000	CAUTION LABEL	FOR FOREIGN			1
8	40122008	THREADING_CHART	FOR FOREIGN			1
9	SM5030855SN	SCREW				1
10	SM5040855SN	SCREW				2
11	40122705	ASSY_NEEDLE_THR_TAKE_UP_GUIDE				1
12	A31209DC000	TENS RELEASE CAM FITTING PLATE				2
13	A31039DC000	NUT				3
14	A31219DC000A	TENS.RELEASE CAM				1
15	A31229DC000	SCREW				3
16	A31239DC000	SPRING				3
17	40121980	TENS RELEASE CAM BASE PLATE R				1
18	40121979	TENS RELEASE CAM R				1
19	40122709	TENS RELEASE CAM L ASSY				1
20	A3154534D00	FRONT COVER 1ST HOLDER				1
21	ST5041051SN	SCREW				1
22	WP0510516SD	WASHER 5.1X7.5X0.5				3
23	A31029DC000	THREAD TENSION SHAFT				3
24	A3121502000	THREAD TENSION THRAD GUIDE		*		3
25	A3120535000	THR.HOLDING SPRING BASE PLATE				3
26	A3103535000	THR.HOLDING SPRING				3
27	PS0200202KP	SPRING PIN				3
28	A3910634000B	TENSION DISC				6
29	A31249DC000A	PIN				3
30	A31109DC000	THR.TENS.DISC PRESSER				3
31	A3903634000	SPRING				3
32	A3158535000	THREAD ADJUSTING SPRING WASHER				3
33	A3134634000	TENSION NUT				3
34	A31119DC000	TENS.DIAL POS.PLATE				3
35	A31059DC000	COLLAR				3
36	A31049DC000B	THR.TENS.ADJ.DIAL				3
37	A3106202000	WAVED WASHER				3
38	A31089DC000	THR.TENS.DIAL PRESSER PLATE				3
39	A31099DC000	WASHER				3
40	NM6050003SC	NUT M5X0.8 TYPE3				3
41	40174068	NEEDLE_THREAD_TENSION_SEAL_M				1
42	40174066	NEEDLE_THREAD_TENSION_SEAL_L				1
43	40174070	NEEDLE_THREAD_TENSION_SEAL_R				1
44	40174171	THREADING_CHART	FOR JP			1
45	40077574	CAUTION_LABEL	FOR JP			1

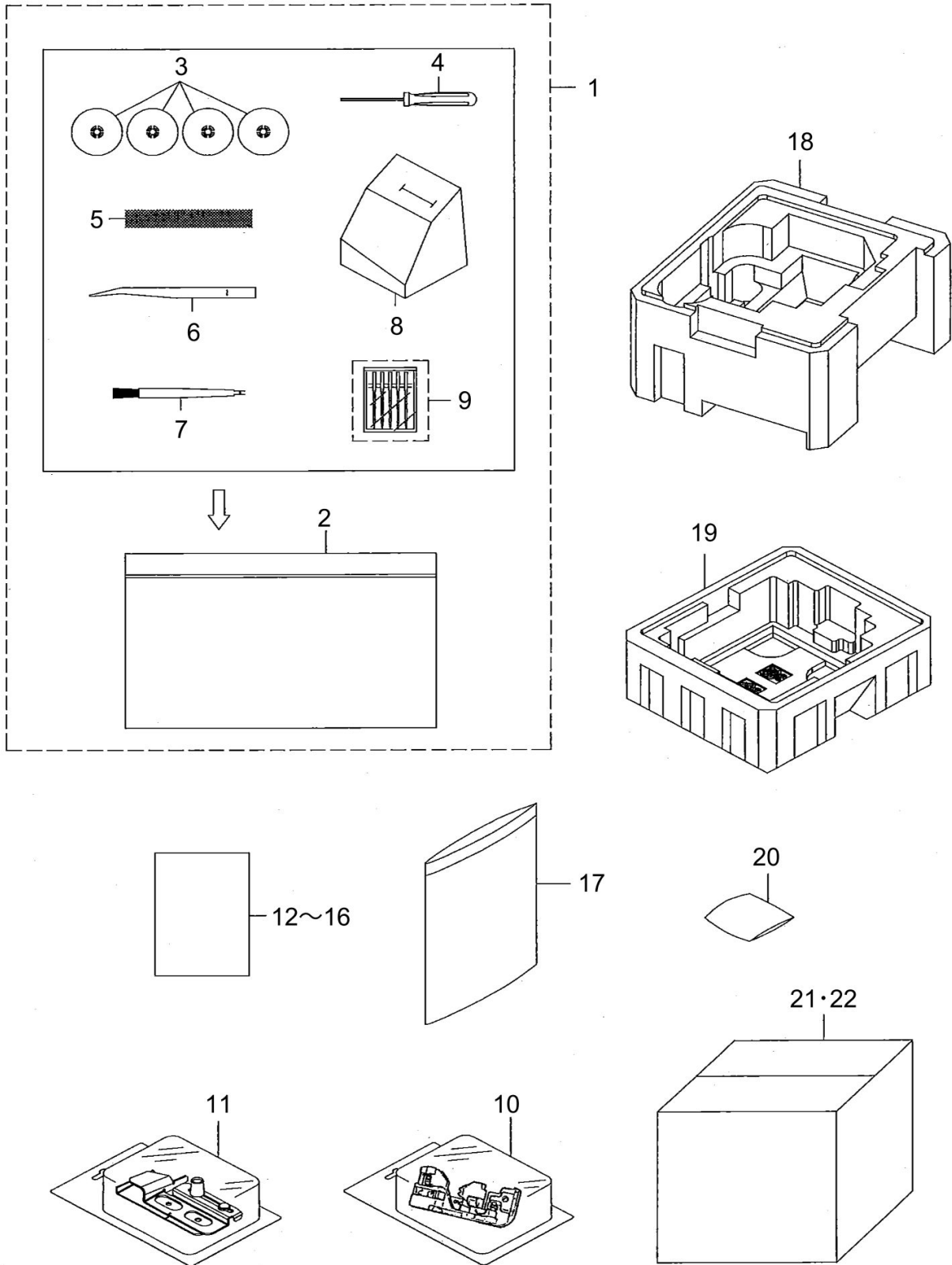
LAMP, MOTOR & CONTROLLER COMPONENTS



LAMP, MOTOR & CONTROLLER COMPONENTS

No.	Parts No.	Parts name	Remarks	Level	Cons	Qty
1	A640111000CB	CONTROLLER ASM. BS	FOR BS			1
2	A640111000BB	CONTROLLER ASM. SAA	FOR SAA			1
3	A640111000AB	CONTROLLER ASM. CE	FOR CE/IT			1
4	A640164D0AEA	CONTROLLER ASM. CH	FOR CH			1
5	A6401634DA0C	CONTROLLER ASM. UL	FOR UL			1
6	MSA1730AHAJ	CONTROLLER ASM. JP	FOR JP			1
7	A60068000AAA	LAMP HOLDER ASM. UL	FOR UL			1
8	A60068000ABB	LAMP HOLDER ASM. CE	FOR CE/BS/SAA/IT/CH			1
9	A60065300A0A	LAMP HOLDER ASM. JP	FOR JP			1
10	A6013800A00A	LAMP UL	FOR UL	*		1
11	A6013800B00A	LAMP CE	FOR CE/BS/SAA/IT/CH	*		1
12	A6010530000A	LAMP JP	FOR JP	*		1
13	A6007535000	LAMP HOLDER SUPPORT				1
14	SM4040655SN	SCREW M4X0.7 L=6				2
15	SM5030555SC	SCREW				2
16	A3811550000	CORD HOLDER				1
17	SM4040655SN	SCREW M4X0.7 L=6				1
18	HX00150000B	CABLE CLAMP				1
19	SM4040655SN	SCREW M4X0.7 L=6	FOR EXCEPT UL			1
20	HX00150000B	CABLE CLAMP	FOR EXCEPT UL			1
21	A63015240B0A	MOTOR ASM. UL	FOR UL			1
22	A63015240BBB	MOTOR ASM. CE	FOR CE/BS/SAA/IT			1
23	40174446	MOTOR ASM. CH	FOR CH			1
24	A6301C090A0	MOTOR ASM. JP	FOR JP			1
25	A6010634000A	MOTOR PULLEY	FOR UL/JP	*		1
26	A601063400A	MOTOR PULLEY ASM.	FOR CE/BS/SAA/IT/CH	*		1
27	SM8040602TP	SCREW M4X0.7 L=6		*		1
28	A6001102U00A	TERMINAL UL	FOR UL	*		1
29	A6001102G00	TERMINAL CE	FOR CE/BS/SAA/IT/CH	*		1
30	A6001102J00A	TERMINAL JP	FOR JP	*		1
31	A600364D000	POWER SWITCH		*		1
32	A407855000B	BAND		*		1
33	A6090110000	CARBON BRUSH	FOR UL	*		2
34	40176231	CARBON BRUSH	FOR CH	*		2
35	SL4040855SN	SCREW M4 L=8				2
36	A6003535000A	MOTOR PROTECTOR				1

ACCESSORIES PARTS & OPTION COMPONENTS



ACCESSORIES PARTS & OPTION COMPONENTS

No.	Parts No.	Parts name	Remarks	Level	Cons	Qty
1	40174075	ASSY_ACCESSORY_BAG				1
2	B9101552000	ACCESSORY BAG		*		1
3	A115098000A	SPOOL CAP		*		4
4	40122044	HEXAGONAL DRIVER		*		1
5	A9116335000	PLASTIC NET		*		1
6	A9109202000	TWEEZERS		*		1
7	40065952	NEEDLE_INSERTER_TOOL/BRUSH		*		1
8	A9102800000	VINYL COVER		*		1
9	40167415	NEEDLE_ASM		*		1
10	40177370	ASSY BP DOUBLE CHAIN P FOOT				1
11	40177371	ASSY BP HEMMER GUIDE FOR CS				1
12	40174080	INSTRUCSION MANUAL MCS1500 ESF	FOR UL/SAA			1
13	40174081	INSTRUCSION MANUAL MCS1500 ENG	FOR CE/BS			1
14	40174082	INSTRUCSION MANUAL MCS1500 ITA	FOR IT			1
15	40174083	INSTRUCSION MANUAL MCS1500 JP	FOR JP			1
16	40174084	INSTRUCSION MANUAL MCS1500 CH	FOR CH			1
17	A9181008000	VINYL				1
18	40121970	STYROFORM TOP				1
19	40122711	STYROFORM BOTTOM				1
20	J0240082A00	SILICAGEL				1
21	40174076	CARTON_CASE_MCS1500_F	FOR FOREIGN			1
22	40174078	CARTON_CASE_MCS1500_D	FOR JP			1

HOW TO MAKE USE OF THIS PARTS LIST

- 1.As to "#01" and "#02" refer to the "Note" given at the bottom of the respective pages.
- 2.Codes on the "Qty" column
 - Each numeral indicates the number of parts required.
 - "0.1" and "2.5" indicate the length (in meters) of the respective parts.
- 3.Parentheses mean that the corresponding part is a subpart that constructs an assembly part.
- 4.Dotted lines on the Figures indicate assembly parts.

1. リストページの# 0 1、# 0 2の印は、ページ下の"注記"の説明を参照下さい。
2. 数量欄の数字は、個数を表し、0. 1、2. 5等の数値は、長さ(単位メートル)を表します。
3. 数量欄の()は、組部品を構成している子部品であることを意味します。
4. イラストページの-----枠は、組構成であることを意味します。

NUMERICAL INDEX OF PARTS

PART NO	PAGE	REF NO.	PART NO	PAGE	REF NO.	PART NO	PAGE	REF NO.
40065952	28	7	40174076	28	21·22	A1403102000	22	31
40071774	6	1	40174078	28	21·22	A1403335000A	8	19
40077574	24	45	40174080	28	12~16	A1404535000	8	14
40079646	22	21	40174081	28	12~16	A1407102000	8	13
40082787	2	1	40174082	28	12~16	A1411335000	8	9
40121970	28	18	40174083	28	12~16	A1412130000	8	3
40121972	8	30	40174084	28	12~16	A1412535000	8	1
40121973	24	6	40174171	24	44	A1414502000	8	17
40121975	20	29	40174446	26	21~24	A14145020A0	8	16
40121979	24	18	40176231	26	33·34	A1415523000	8	11
40121980	24	17	40177370	28	10	A1424777000	22	11
40121981	12	6	40177371	28	11	A1501C09000	8	35
40121983	12	9	A11025340A0A	4	54	A1502C09000	8	36
40121988	2	28	A1103C09000	2	19	A15049DC0B0	10	48
40121995	24	1	A1104523000A	2	31	A1507C09000	8	40
40121997	8	23	A1118644000A	2	5	A1514C090B0B	8	42
40121998	8	24	A1119644000A	2	7	A1520130000	8	43
40121999	8	25	A1120202000	2	4	A152111000C	8	44
40122000	2	10	A1121202000	2	3	A1522110000	8	38
40122001	8	33	A11213150A0A	2	8	A1523110000	8	39
40122008	24	8	A1124644000	2	14	A15729DC000	10	52
40122010	2	45	A1135535000	2	42	A15739DC0A0	12	7
40122044	28	4	A1138335000	2	11	A15779DC000	12	2
40122701	2	2	A11389DC000	2	24	A15789DC000	12	1
40122704	20	14	A11399DC000B	2	22	A1601556D00B	14	2
40122705	24	11	A1145523000	2	13	A1602534D00B	14	3
40122707	24	2	A1146644000	2	16	A160365DE00	14	4
40122709	24	19	A1147535000	2	17	A1604534D00A	14	5
40122711	28	19	A115098000A	28	3	A16109DC000	14	1
40123323	8	29	A11535030AC	4	56	A1611655000	14	6
40123324	8	28	A1156523000	4	51	A1612535000	18	98
40125265	8	27	A1160524000	2	32	A1613535000	16	53
40127196	8	31	A11615350A0	2	36	A1613655000	14	17
40127197	24	3	A1164535000	2	47	A1614534D00	14	12
40127198	24	5	A116731500AA	20	26	A1614655000	14	32
40127201	10	50	A1202113000	6	6	A1615534D00	14	9
40131485	2	12	A1205634000	6	9	A1616030Z00	16	70
40133733	22	6	A1206102000	6	5	A1616534D00	16	90
40139206	8	34	A1206202000	6	4	A1617534D00A	16	94
40167415	28	9	A1206335000	6	3	A1618534D00	16	92
40174063	2	27	A1206535000	6	7	A1618534D0A	16	93
40174066	24	42	A1230500000A	6	8	A16196550A0	14	23
40174068	24	41	A1401535000A	8	20	A1620534DA0	14	11
40174070	24	43	A1402535000	8	5	A1625800000	16	63
40174075	28	1	A1403102000	8	22	A1627C09000	16	64

NUMERICAL INDEX OF PARTS

PART NO	PAGE	REF NO.	PART NO	PAGE	REF NO.	PART NO	PAGE	REF NO.
A1630534D00	14	20	A2116535000	20	7	A3120031000	2	23
A1630535000	18	96	A2130655000	20	35	A3120535000	24	25
A1633534D00	14	28	A21306550A0	20	34	A31209DC000	24	12
A1634655000A	14	24	A21309DC0B0	20	31	A3121502000	24	24
A1635534D00	14	30	A21316550A0	20	36	A31219DC000A	24	14
A1637534DA0	18	97	A21326550A0	20	32	A31229DC000	24	15
A1638776000	16	91	A21349DC000	20	38	A31239DC000	24	16
A1639534D00	16	88	A2138335000	20	30	A31249DC000A	24	29
A1639800000	16	69	A21409DC0A0	22	1	A3134634000	24	33
A1640534D00	16	86	A21429DC000	22	7	A3139776000	22	13
A1641534D00	16	60	A21439DC000	22	2	A3150535000	2	39
A1642C09000	16	74	A21459DC000	22	5	A3151535000	2	21
A1645534D00	16	55	A21469DC000B	22	10	A3154534D00	24	20
A1646534D00	16	56	A21519DC000A	20	15	A3158535000	24	32
A1647534D00	16	61	A21529DC000	20	21	A3811550000	26	16
A1648655000	16	73	A21536550A0	20	25	A3903634000	24	31
A1650534D00	16	84	A21549DC000	2	34	A3910634000B	24	28
A1651534D00	16	77	A2155655000A	20	20	A407855000B	26	32
A1652534D00	16	81	A2156655000	20	28	A4125655000	2	46
A1653776000	14	42	A2158655000	20	19	A6001102G00	26	28~30
A1654776000A	14	47	A2159655000	20	27	A6001102J00A	26	28~30
A1655534D00	14	13	A21609DC000	20	43	A6001102U00A	26	28~30
A1657534DA0	14	43	A21619DC000	20	42	A6003535000A	26	36
A1659534D00A	14	41	A21659DC000	20	23	A600364D000	26	31
A1660534D00A	14	48	A2503776000	22	16	A60065300A0A	26	7~9
A1660534D00A	16	48	A2504776000	22	18	A60068000AAA	26	7~9
A16618000A0	14	38	A251453400C	22	22	A60068000ABB	26	7~9
A1662655000A	14	16	A2515534000A	22	15	A6007535000	26	13
A1663534D00	16	50	A25159DC0A0	22	14	A6010530000A	26	10~12
A1663776000	14	36	A25169DC000	22	19	A6010634000A	26	25·26
A16637760A0	14	35	A25219DC000	22	32	A601063400A	26	25·26
A1664655000	14	34	A2529335000	16	85	A6013800A00A	26	10~12
A1665534D00	16	79	A2529335000	20	4	A6013800B00A	26	10~12
A1675335000	20	12	A2538554000	4	49	A6090110000	26	33·34
A2101535000	22	29	A2550534000C	22	24	A63015240B0A	26	21~24
A21029DC000	22	36	A31029DC000	24	23	A63015240BBB	26	21~24
A21039DC000	20	2	A3103535000	24	26	A6301C090A0	26	21~24
A2105535000	20	1	A31039DC000	24	13	A640111000AB	26	3·4
A2107655000	20	13	A31049DC000B	24	36	A640111000BB	26	2
A21099DC000	20	17	A31059DC000	24	35	A640111000CB	26	1
A2111335000	22	12	A3106202000	24	37	A6401634DA0C	26	5·6
A2112204000	22	35	A31089DC000	24	38	A640164D0AEA	26	3·4
A2113535000A	20	8	A31099DC000	24	39	A9102800000	28	8
A2114535000	20	5	A31109DC000	24	30	A9109202000	28	6
A2115655000	20	11	A31119DC000	24	34	A9116335000	28	5

NUMERICAL INDEX OF PARTS

PART NO	PAGE	REF NO.	PART NO	PAGE	REF NO.	PART NO	PAGE	REF NO.
A9181008000	28	17	SM5030555SC	26	15	ST5041051SN	4	58
A9196524000	2	44	SM5030655SF	12	11	ST5041051SN	24	21
A9196524000	24	7	SM5030655SN	14	44	WP0320501SC	2	25
B9101552000	28	2	SM5030655SN	20	45	WP0320501SC	8	46
HX00150000B	26	20	SM5030855SN	8	47	WP0430801SC	2	57
J0240082A00	28	20	SM5030855SN	14	40	WP0430801SC	4	57
MC221500800	10	54	SM5030855SN	24	9	WP0430801SC	12	3
MSA1730AHAJ	26	5-6	SM5031001SE	16	52	WP0430801SC	14	82
NM6050003SC	24	40	SM5032555SE	2	41	WP0430801SC	16	82
PS0200052KP	12	10	SM5040655SN	14	7	WP0430801SC	22	9
PS0200202KP	24	27	SM5040855SN	2	59	WP0510516SD	24	22
PS0400222KP	6	2	SM5040855SN	4	59	WP0531001SC	8	45
RE0200000K0	20	33	SM5040855SN	8	41	WP0641600SD	22	28
RE0300000K0	12	8	SM5040855SN	24	10	WP0820516SP	8	7
RE0300000K0	14	83	SM5041055SN	14	31	WP0820516SP	22	34
RE0300000K0	16	83	SM5043755SC	2	6			
RE0300000K0	22	8	SM5051255SN	2	55			
RE0400000K0	10	53	SM5051255SN	4	55			
RE0400000K0	14	89	SM8030302TP	14	72			
RE0400000K0	16	89	SM8030302TP	16	72			
RE0400000K0	20	10	SM8030302TP	20	16			
RE0500000K0	10	51	SM8030402TP	16	87			
RE0500000K0	14	68	SM8030612TP	22	25			
RE0500000K0	16	68	SM8040402SP	8	18			
RE0600000K0	8	8	SM8040402TP	4	53			
RE0600000K0	22	33	SM8040402TP	8	15			
SL4040831SF	2	20	SM8040402TP	16	99			
SL4040855SN	2	50	SM8040402TP	18	99			
SL4040855SN	4	50	SM8040402TP	20	46			
SL4040855SN	26	35	SM8040402TP	22	37			
SL5031031SN	2	15	SM8040412TP	20	3			
SM0030401SC	20	37	SM8040602TP	20	22			
SM0030401SC	22	3	SM8040602TP	22	17			
SM1030801SN	8	26	SM8040602TP	26	27			
SM4030455SN	8	32	SM8040612TP	18	95			
SM4030455SN	20	40	SM8050402TP	8	37			
SM4030655SP	16	75	SM8050602TP	8	21			
SM4040655SN	16	54	SM8050612TP	22	23			
SM4040655SN	20	41	SM8050842TP	2	40			
SM4040655SN	22	4	SM8060602TP	8	12			
SM4040655SN	26	19	SM9030650SN	20	44			
SM4040855SN	4	52	SM9040700SP	16	76			
SM4040855SN	10	49	ST5030851SN	2	26			
SM5030555SC	8	4	ST5031051SN	2	35			
SM5030555SC	20	24	ST5041051SN	2	58			