

SIRUBA®

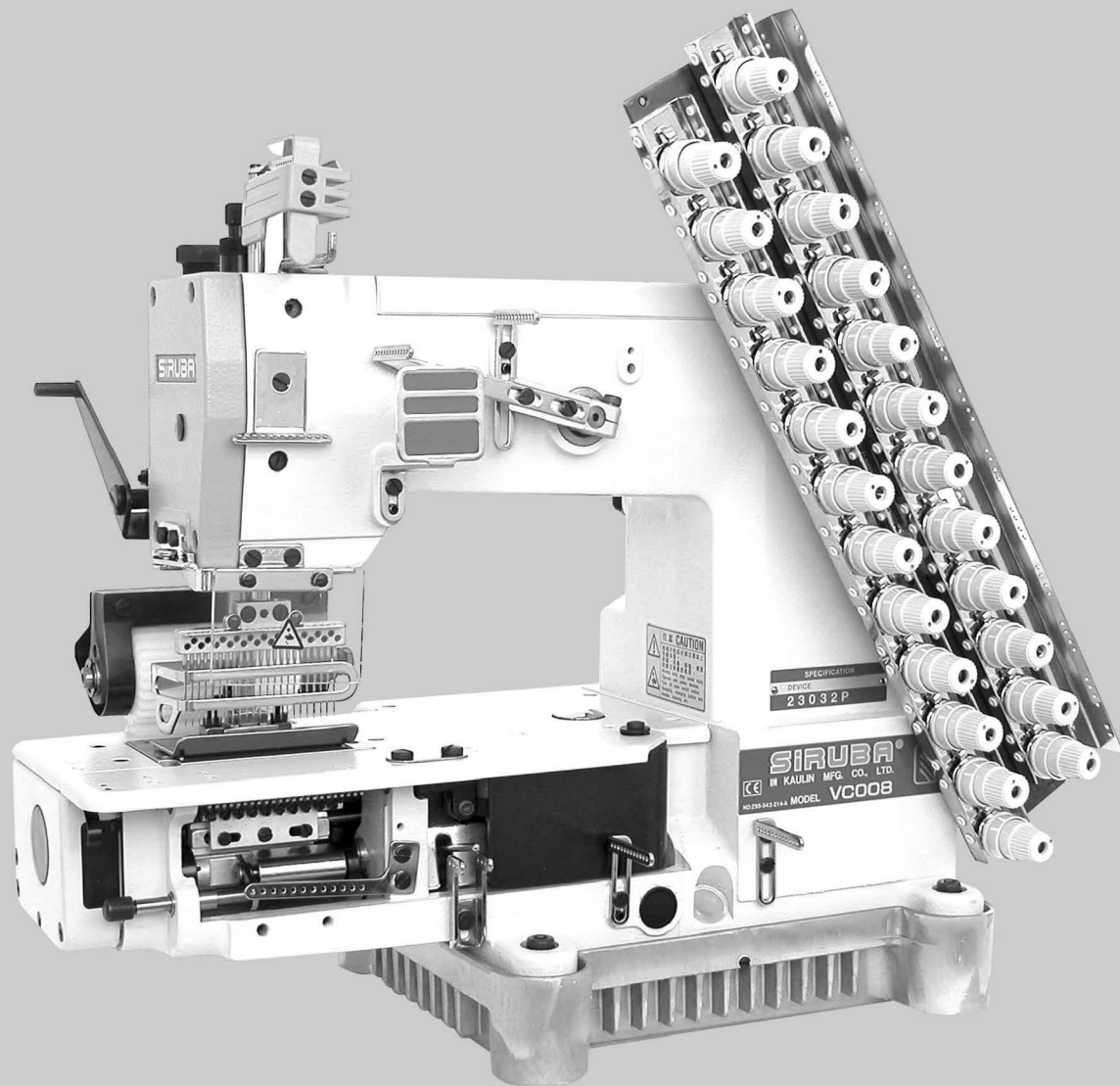
銀箭牌工業用縫紉機

INDUSTRIAL SEWING MACHINE

VC008

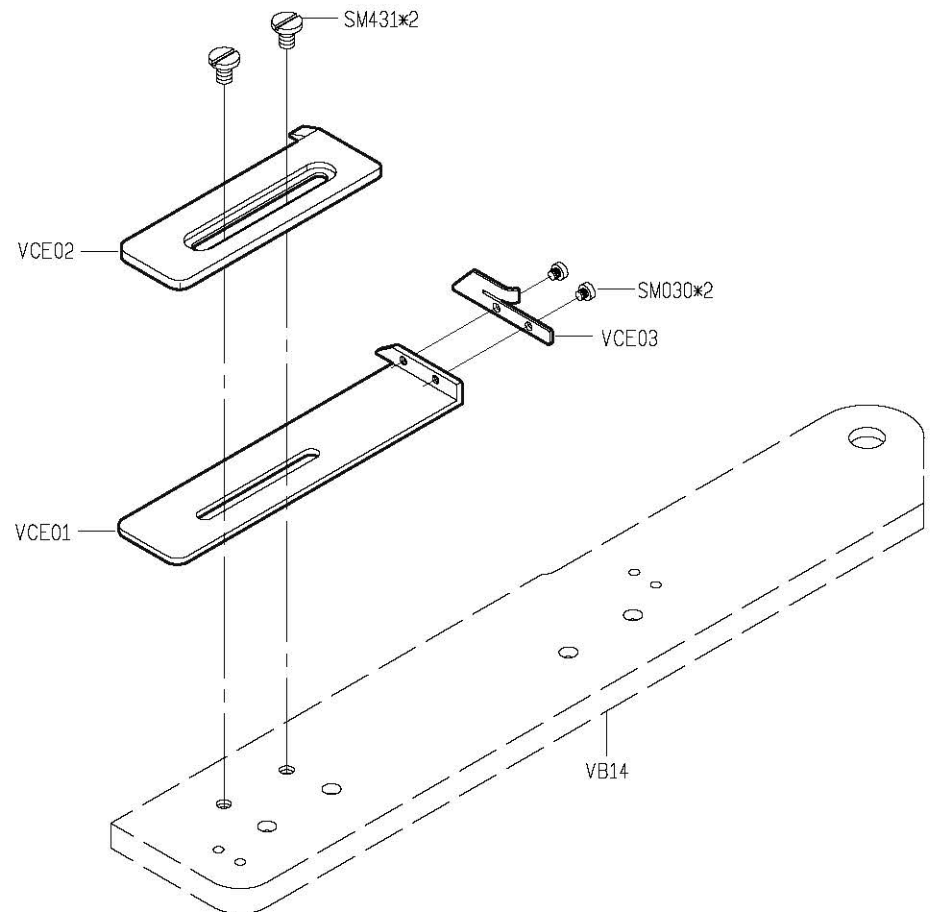
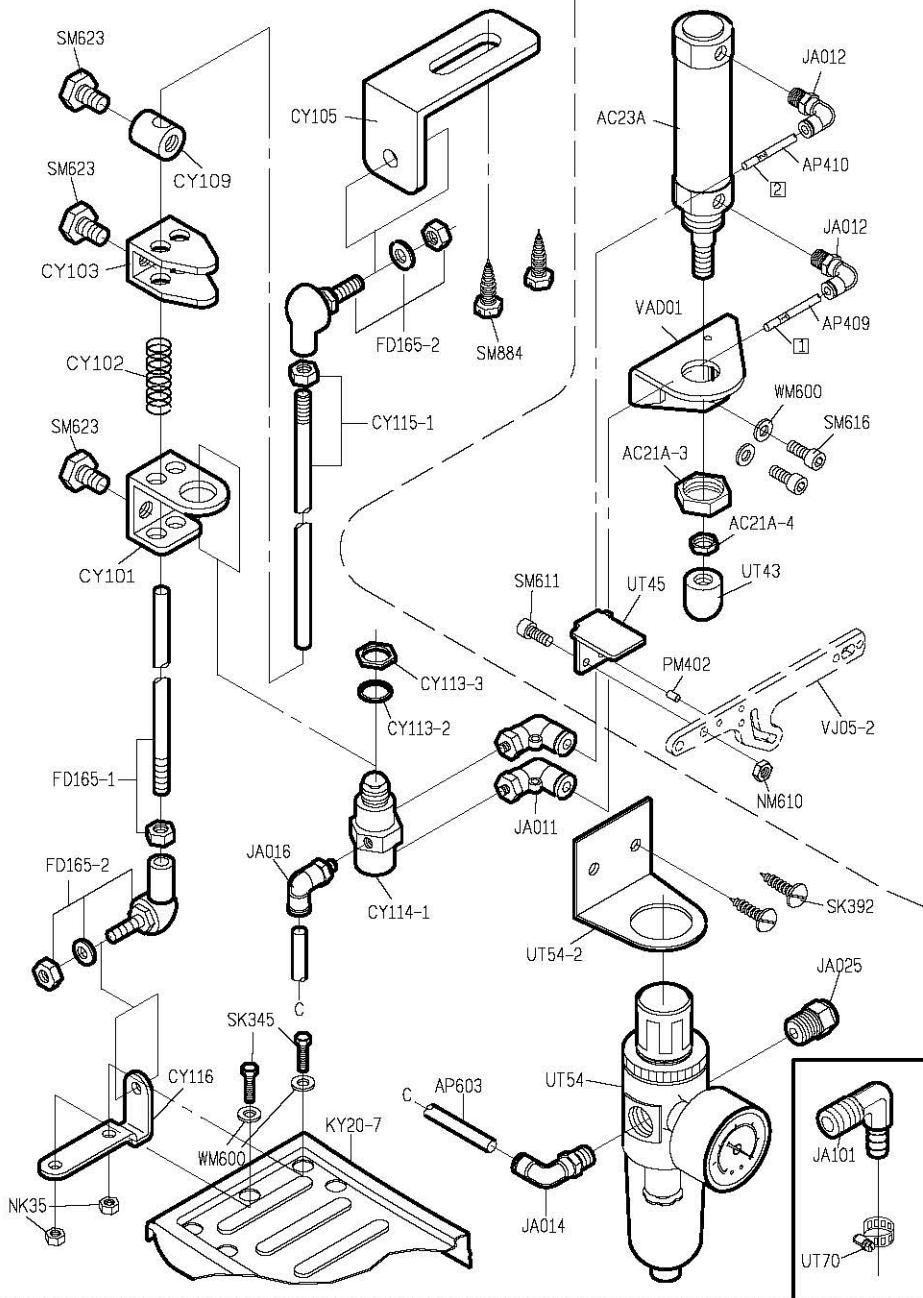
ATTACHMENT

零件圖 PARTS LIST



高林股份有限公司
KAULIN MFG. CO., LTD.

From the library of: Superior Sewing Machine & Supply LLC



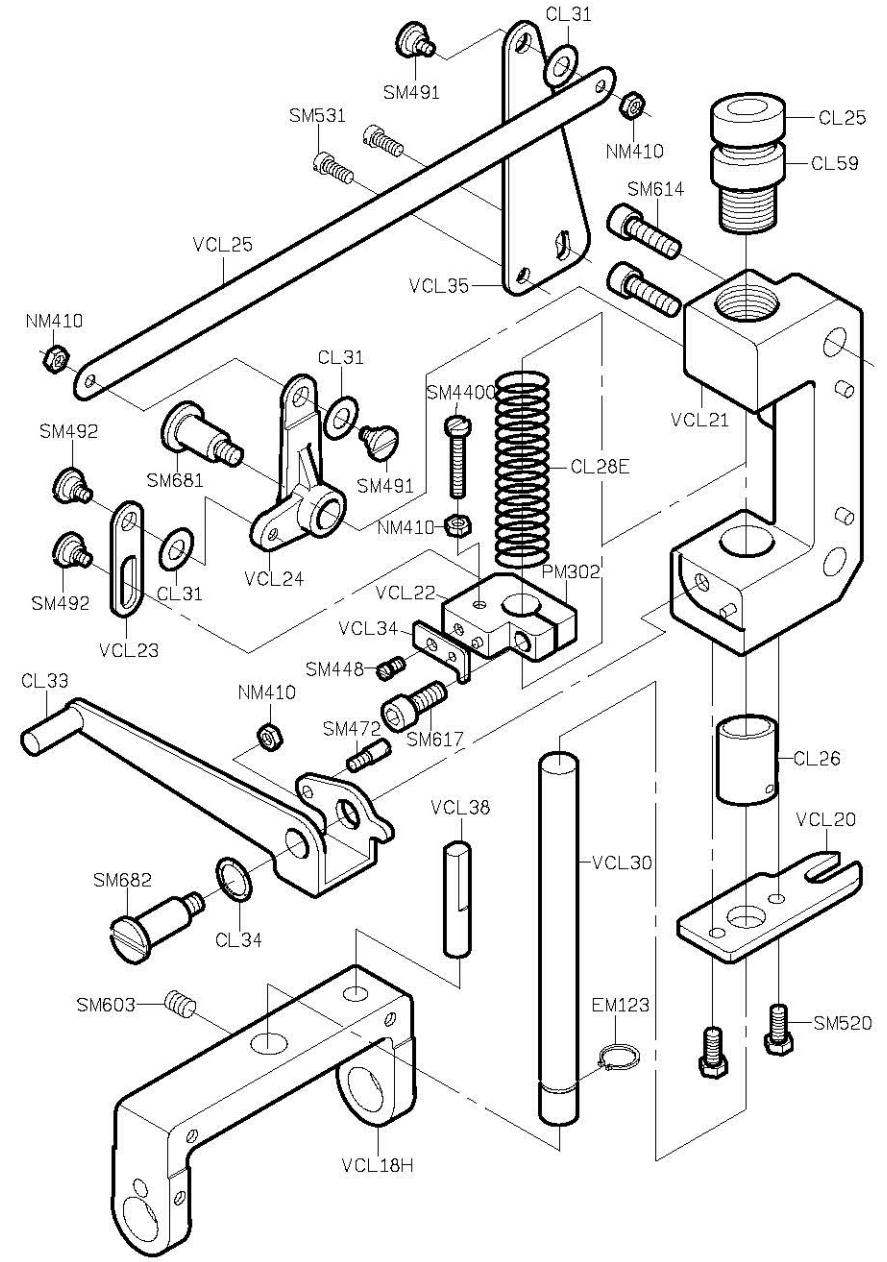
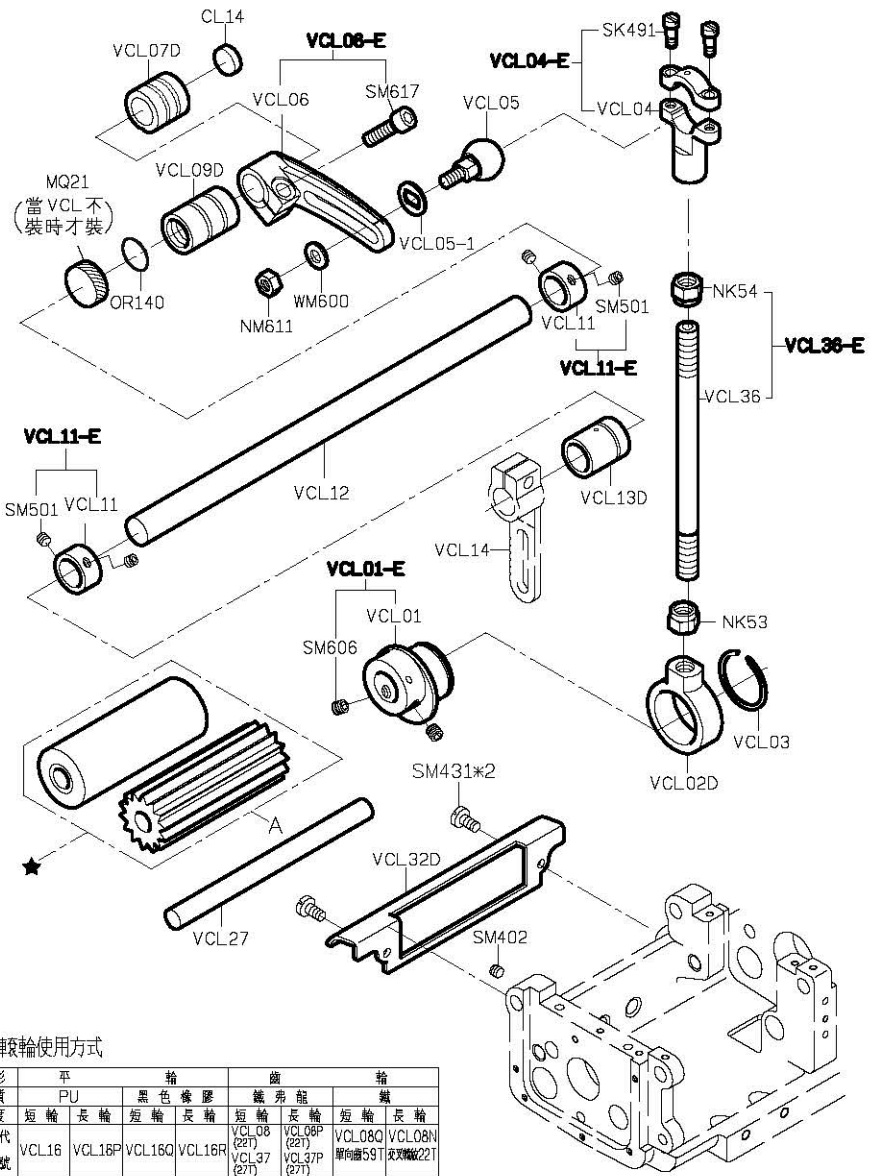
PARTS LIST FOR VAD GROUP

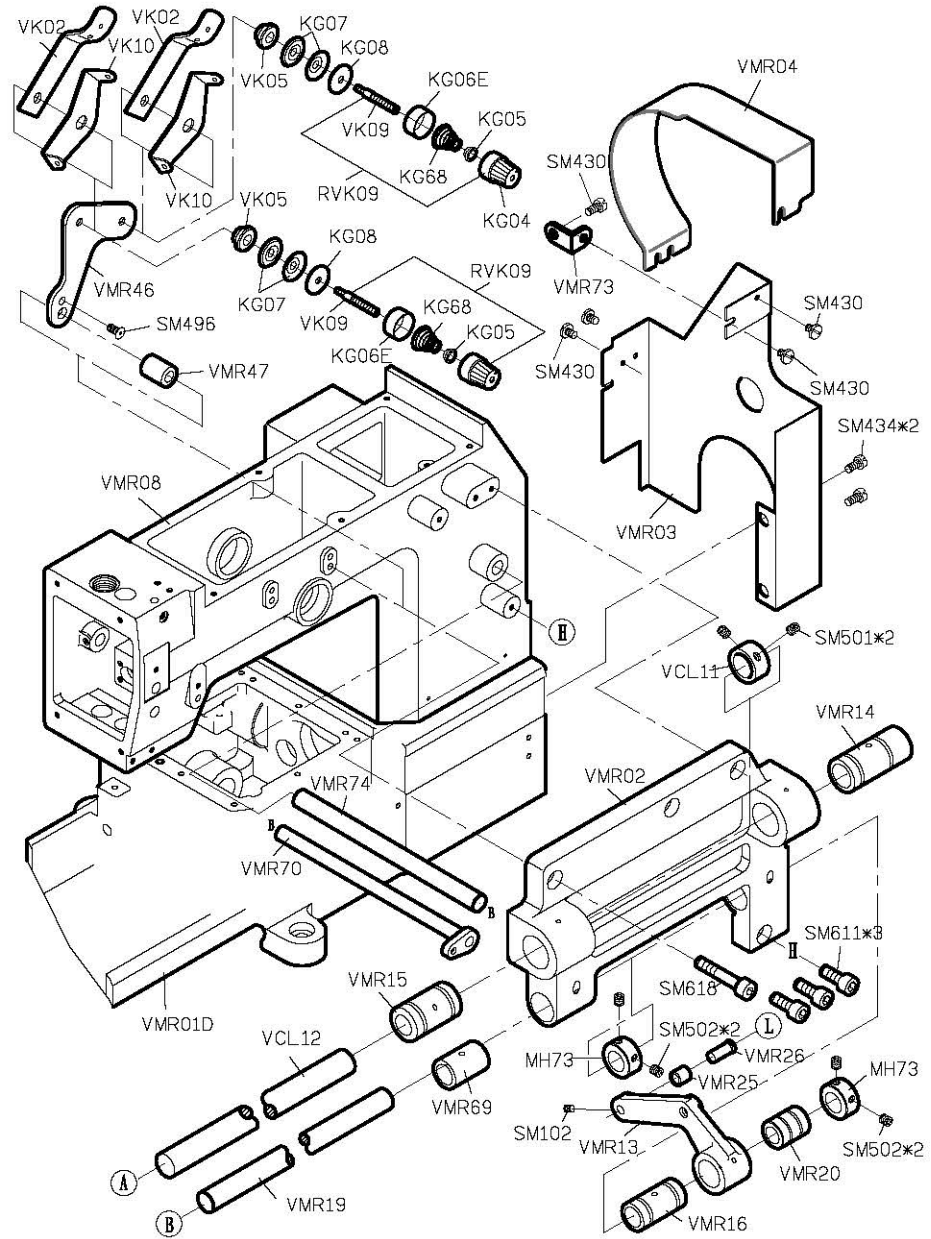
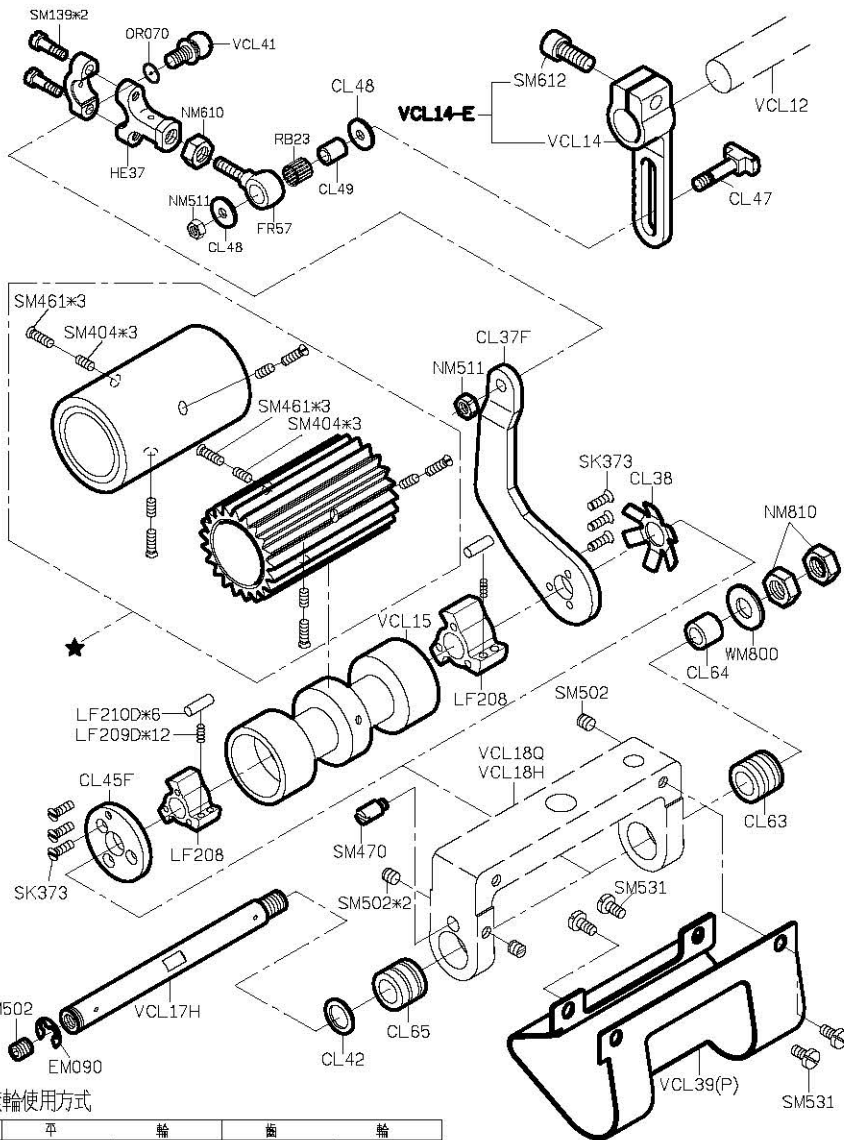
PARTS LIST FOR VCE GROUP

From the library of: Superior Sewing Machine & Supply LTD

PARTS LIST FOR VCL-H GROUP

PARTS LIST FOR VCL-H GROUP

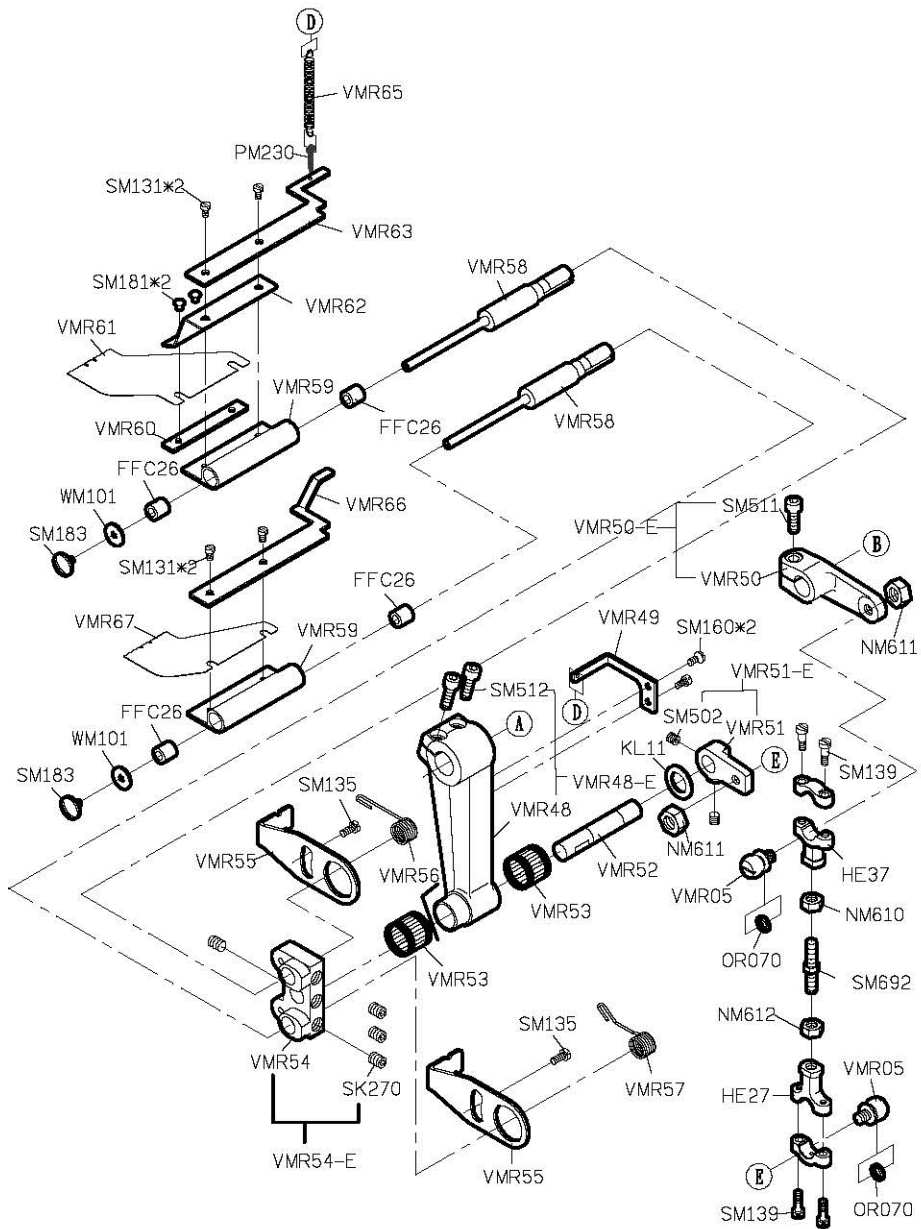




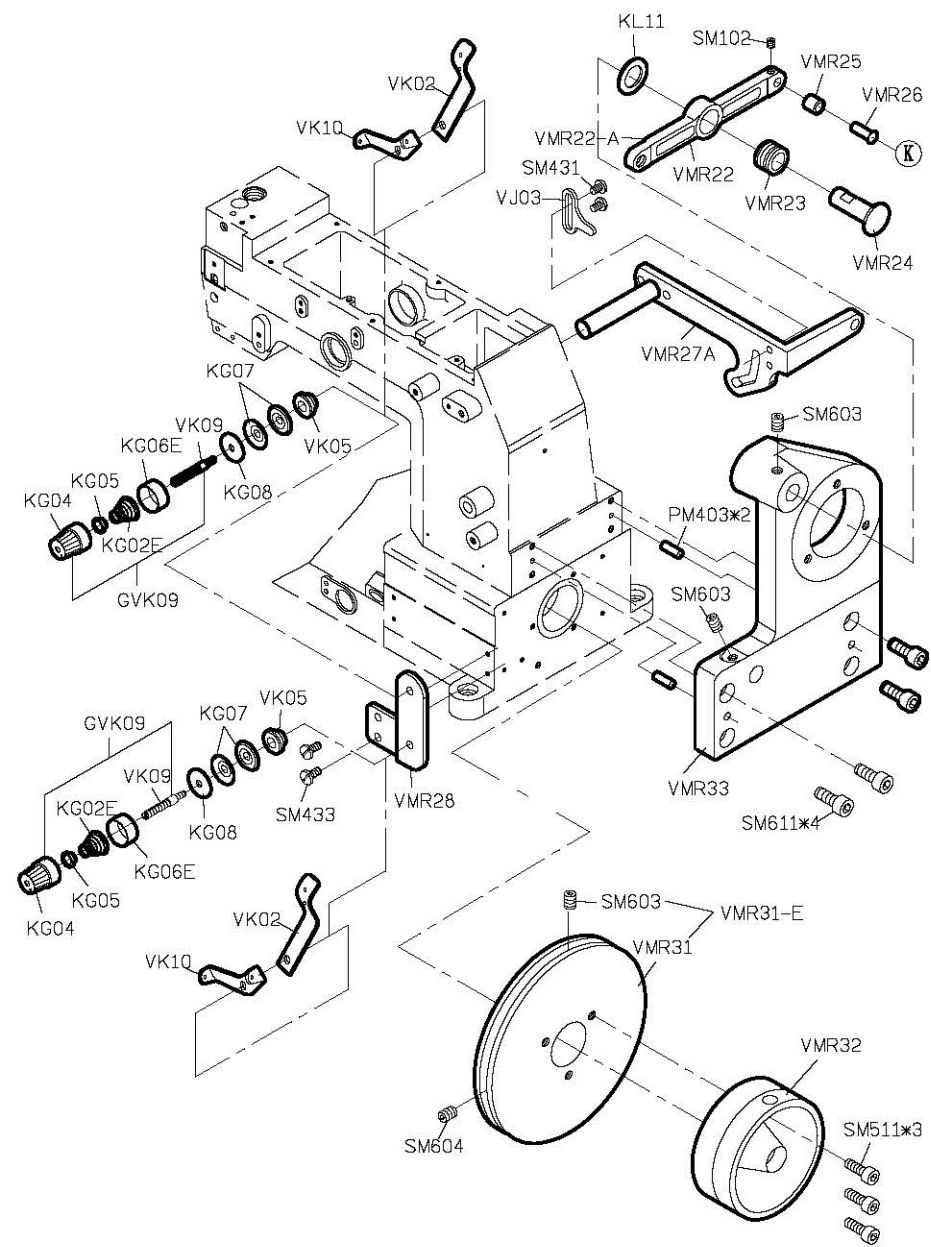
★ 轉輪使用方式

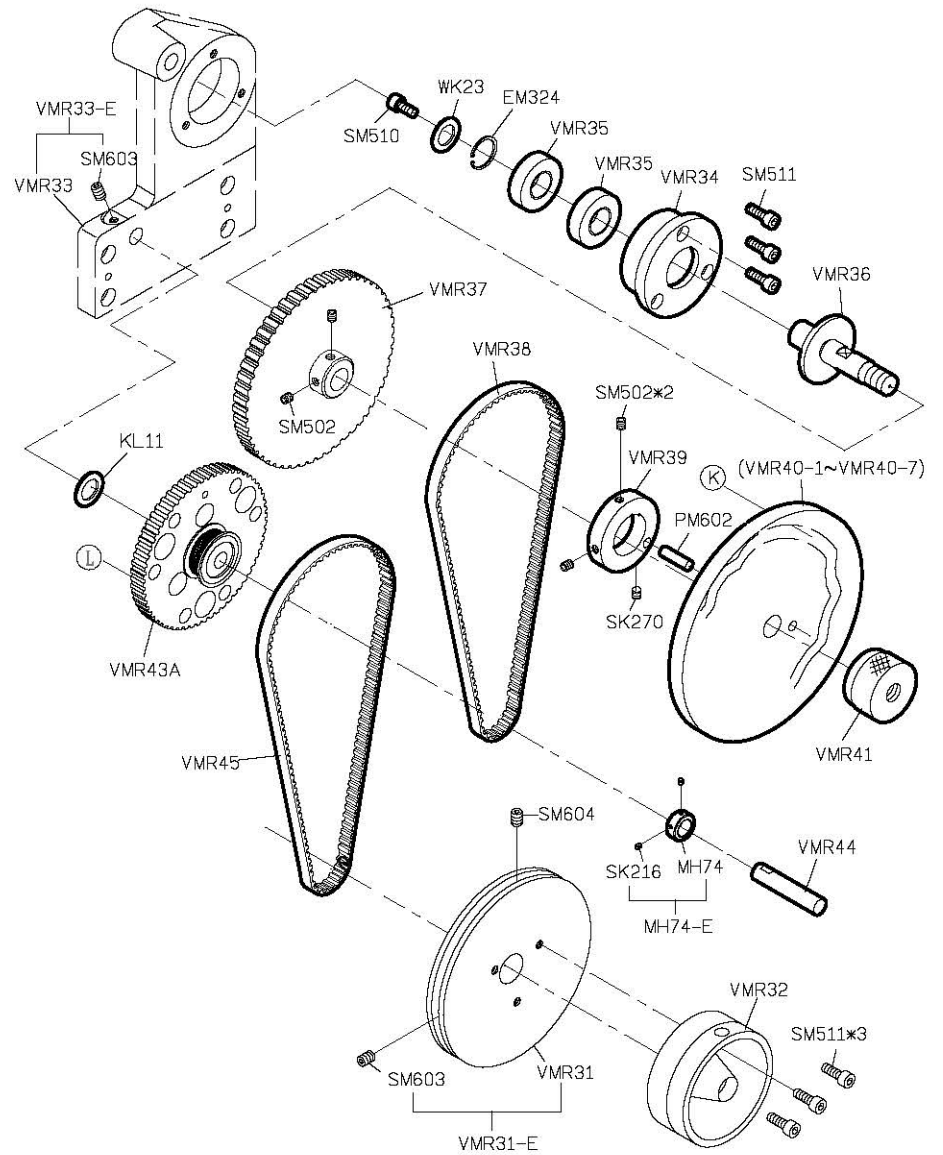
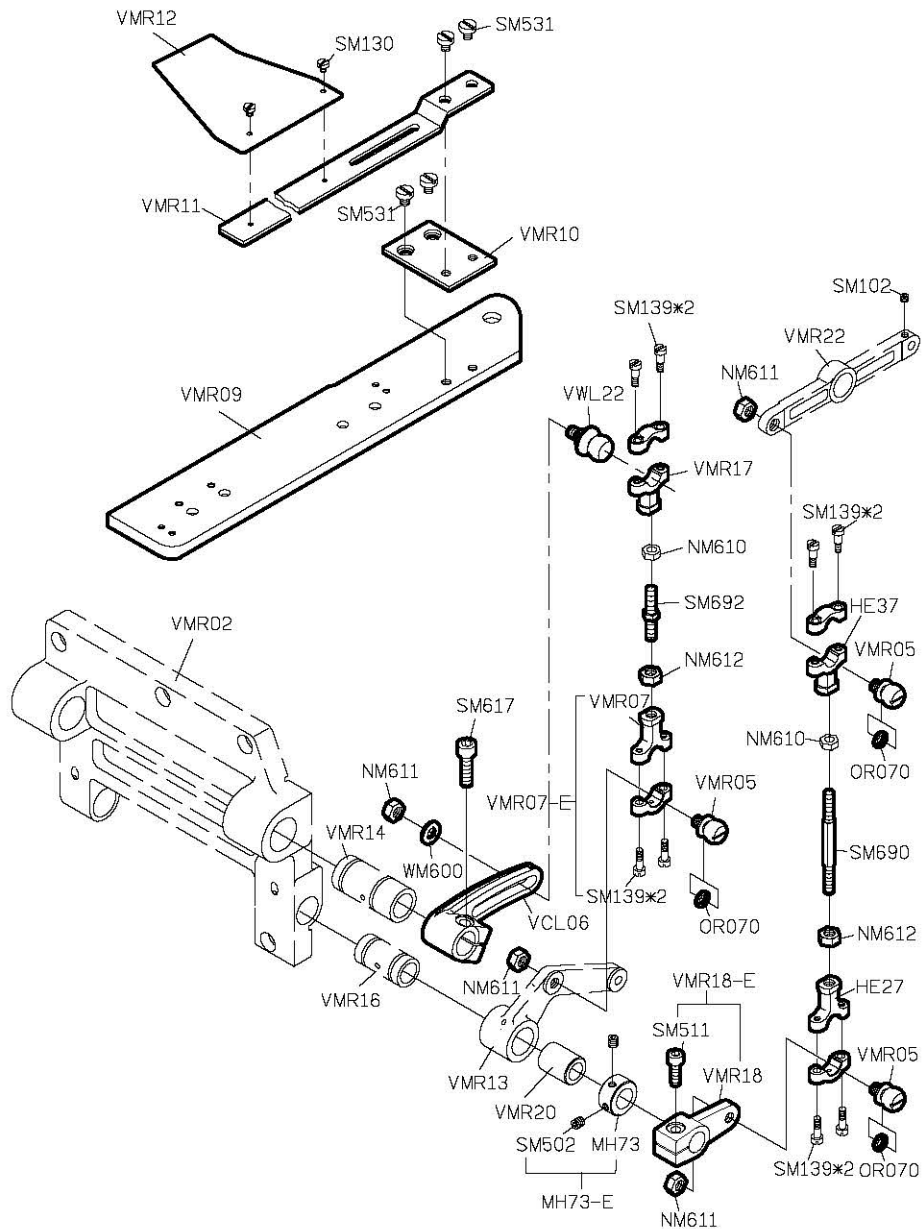
齒形	平 輪		齒 輪		齒 輪			
	短輪	長輪	短輪	長輪	短輪	長輪		
上滾輪	VCL16	VCL16P	VCL16Q	VCL16R	VCL08 (27T)	VCL08P (27T)	VCL08Q (27T)	VCL08N (27T)
下滾輪		VCL28		VCL28R	VCL33 (14T)	VCL33P (16T)		VCL33N (14T)

PARTS LIST FOR VMR GROUP



PARTS LIST FOR VMR GROUP

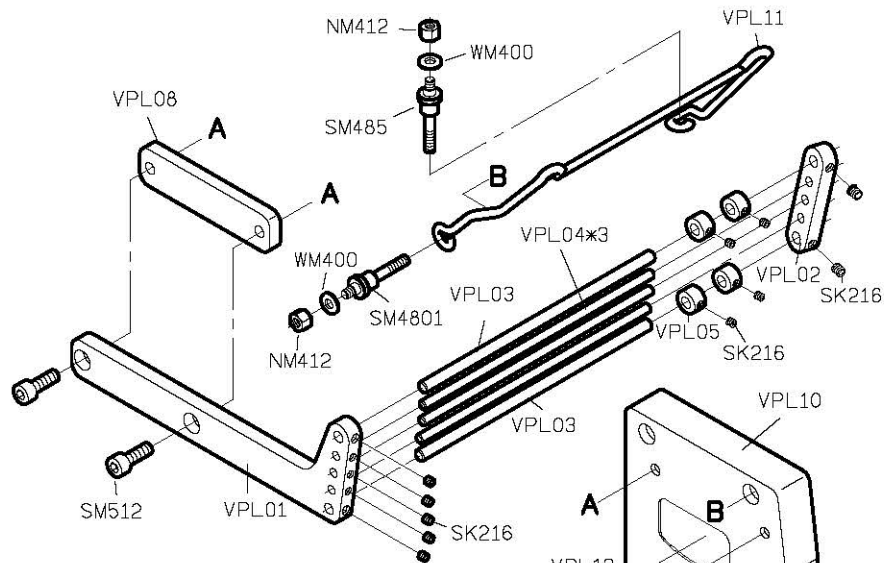




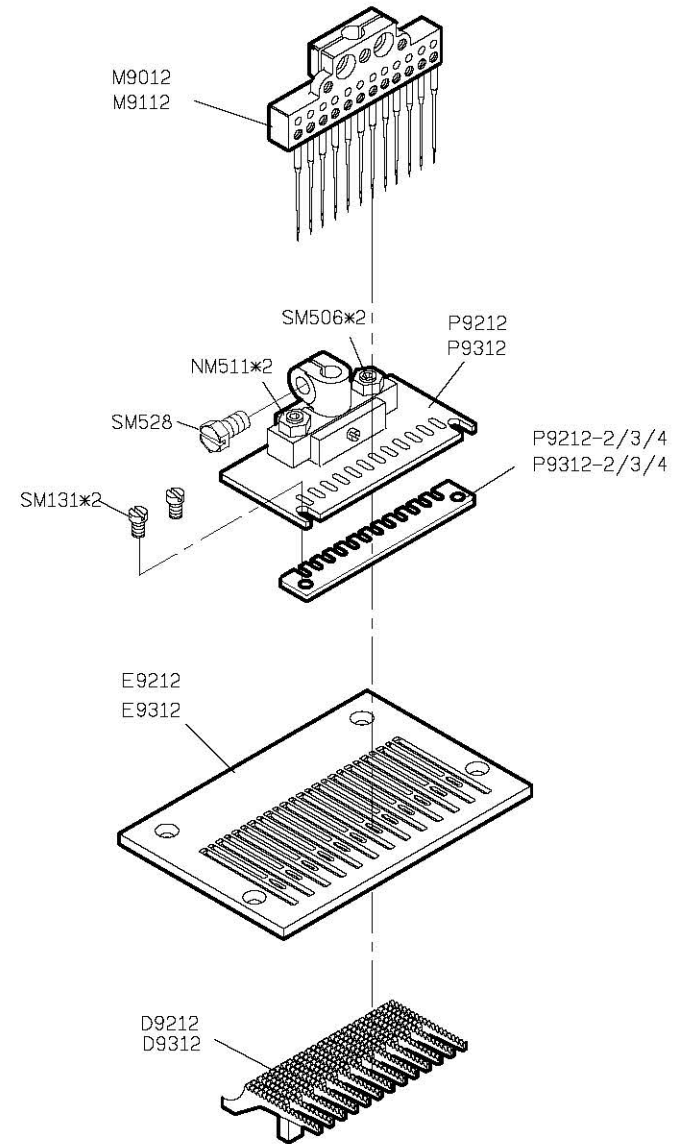
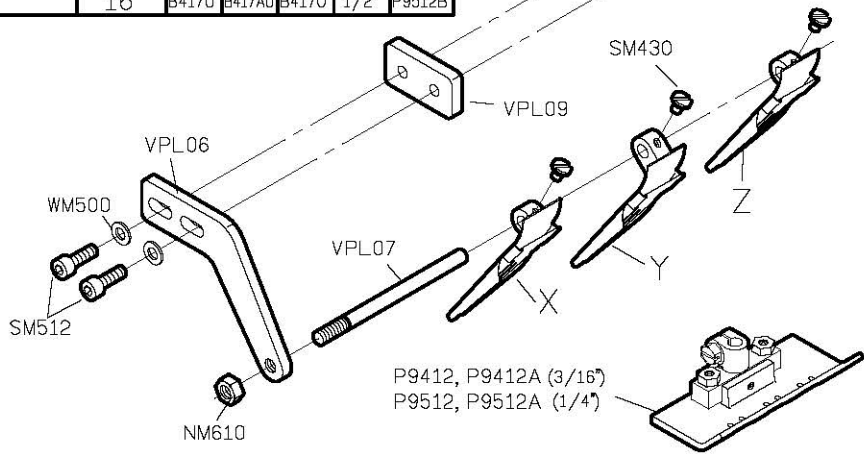
PARTS LIST FOR VMR GROUP From the library of: Superior Sewing Machine & Supply LLC **PARTS LIST FOR VMR GROUP**

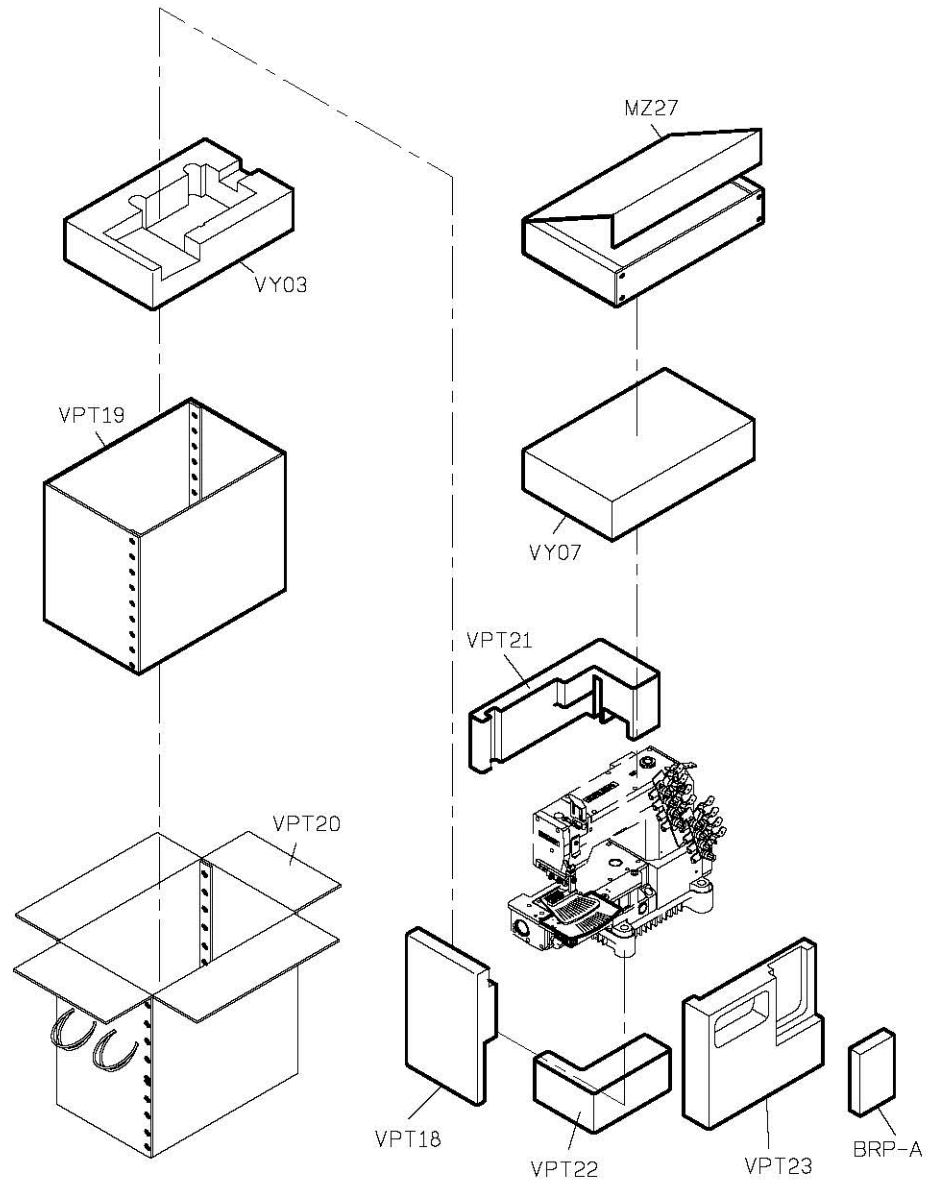
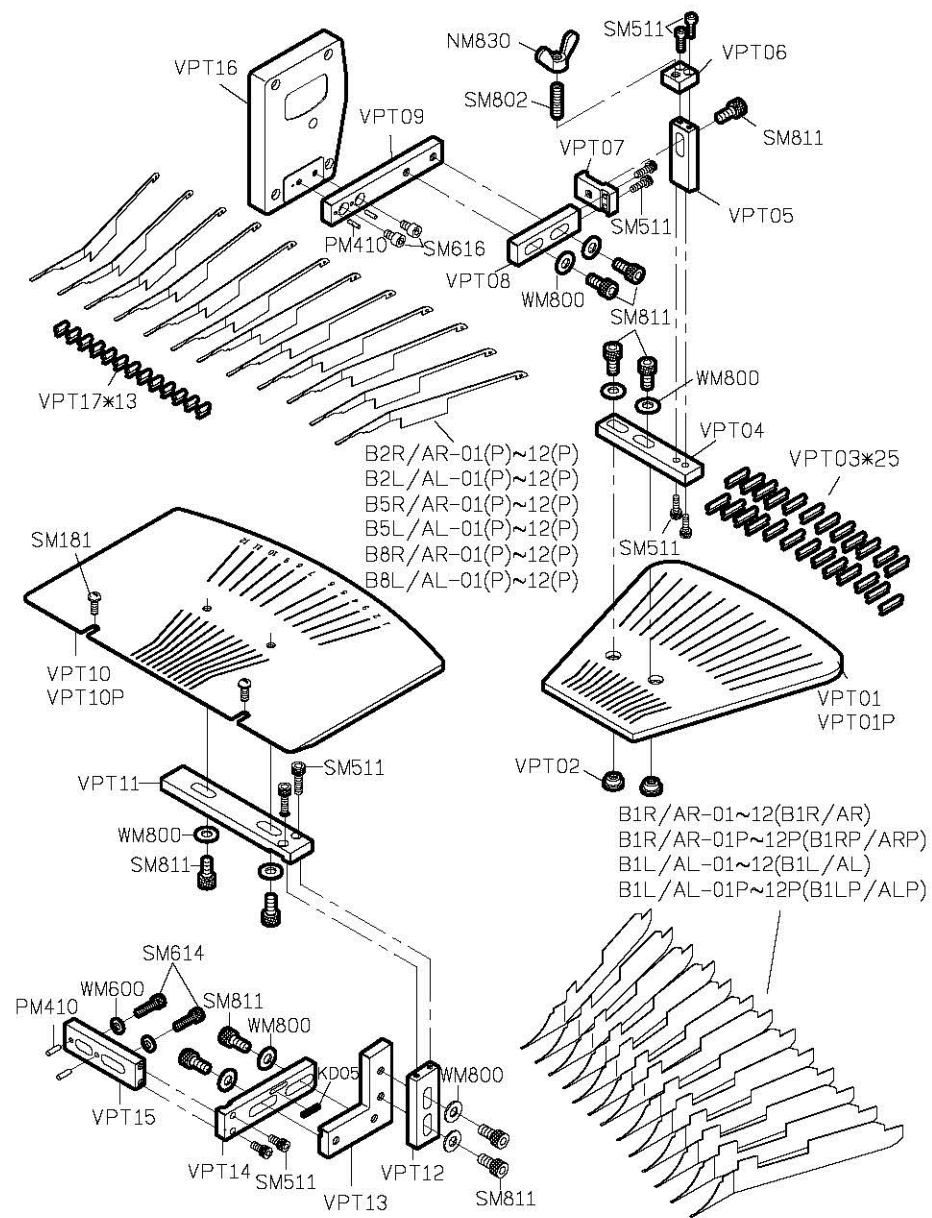
PARTS LIST FOR VPL GROUP

PARTS LIST FOR VPQ GROUP



機型	完成尺寸	X	Y	Z	針寬	壓具
VC008-06048	8	B417P	B417AP	B417P	3/16"	P9412DA
	9	B417Q	B417AQ	B417Q		P9412D
VC008-06064	10	B417R	B417AR	B417R	1/4"	P9512DA
	12	B417S	B417AS	B417S		P9512D
	16	B417U	B417AU	B417U		P9512B



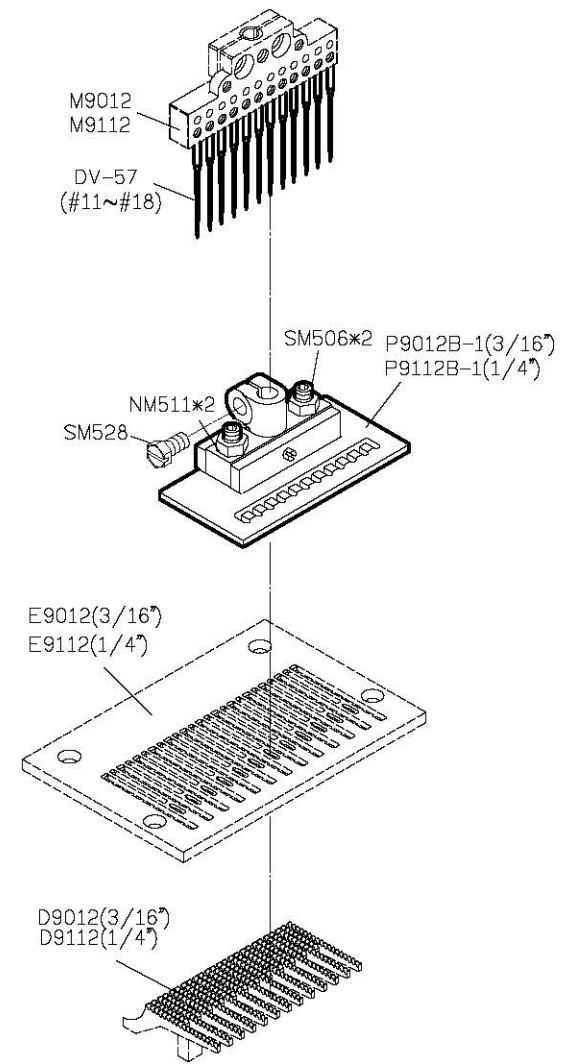
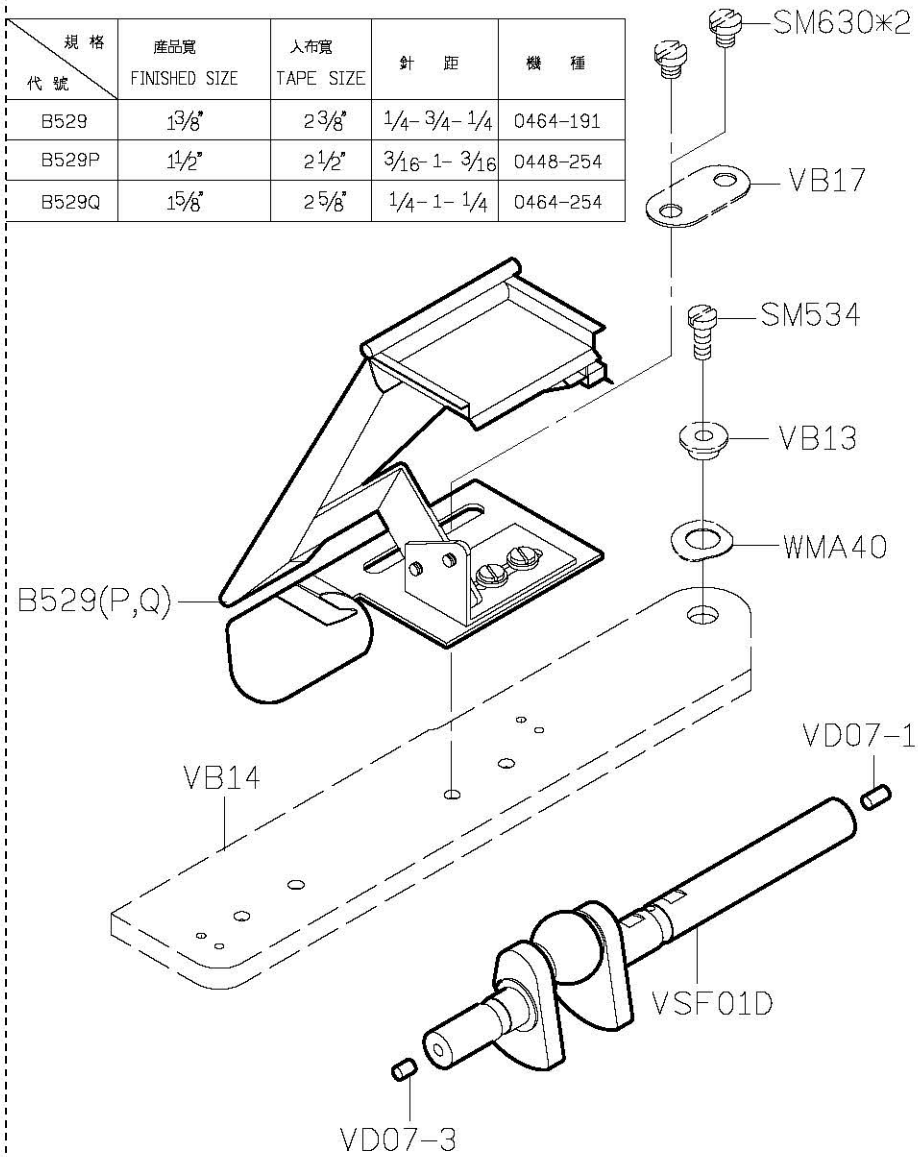


PARTS LIST FOR VPT GROUP From the library of: Superior Sewing Machine & Supply LLC **PARTS LIST FOR VPT GROUP**

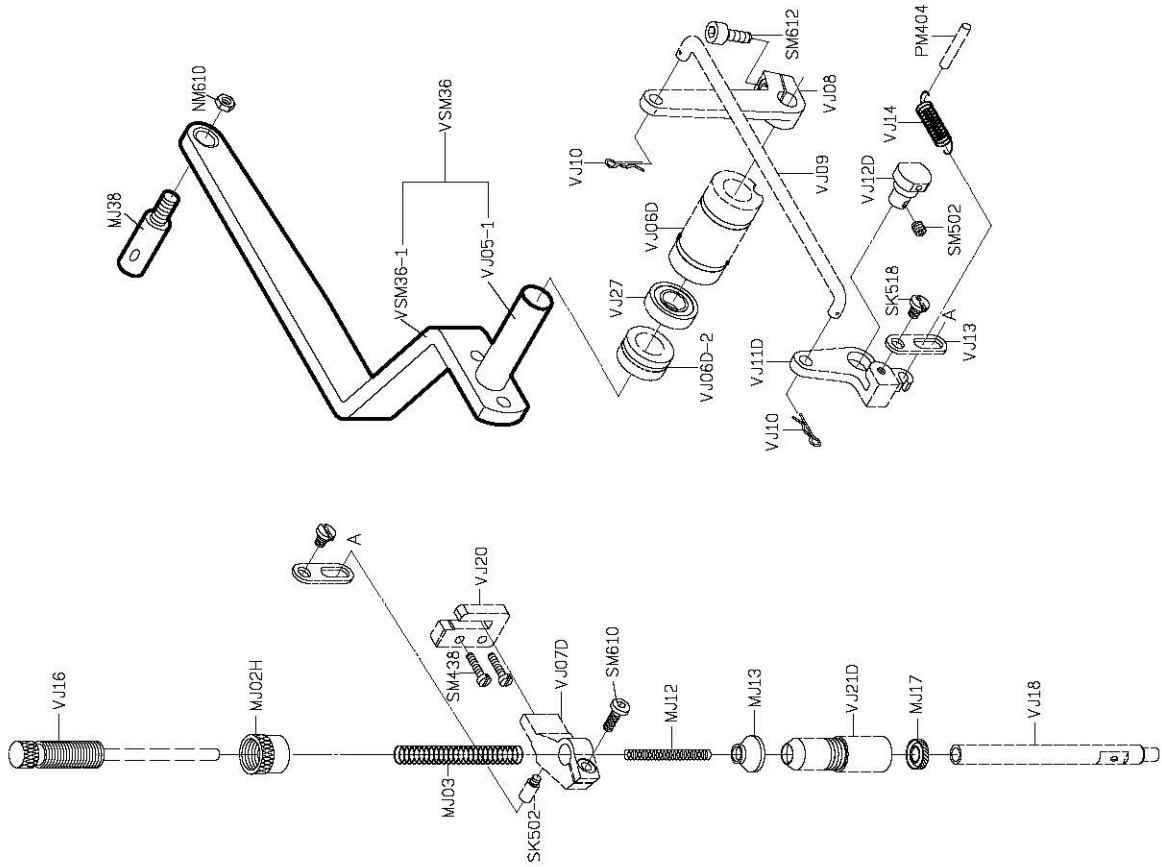
PARTS LIST FOR VSF GROUP

PARTS LIST FOR VSQ GROUP

規格 代號	產品寬 FINISHED SIZE	入布寬 TAPE SIZE	針距	機種
B529	1 ³ / ₈ "	2 ³ / ₈ "	1/4- 3/4- 1/4	0464-191
B529P	1 ¹ / ₂ "	2 ¹ / ₂ "	3/16- 1- 3/16	0448-254
B529Q	1 ⁵ / ₈ "	2 ⁵ / ₈ "	1/4- 1- 1/4	0464-254

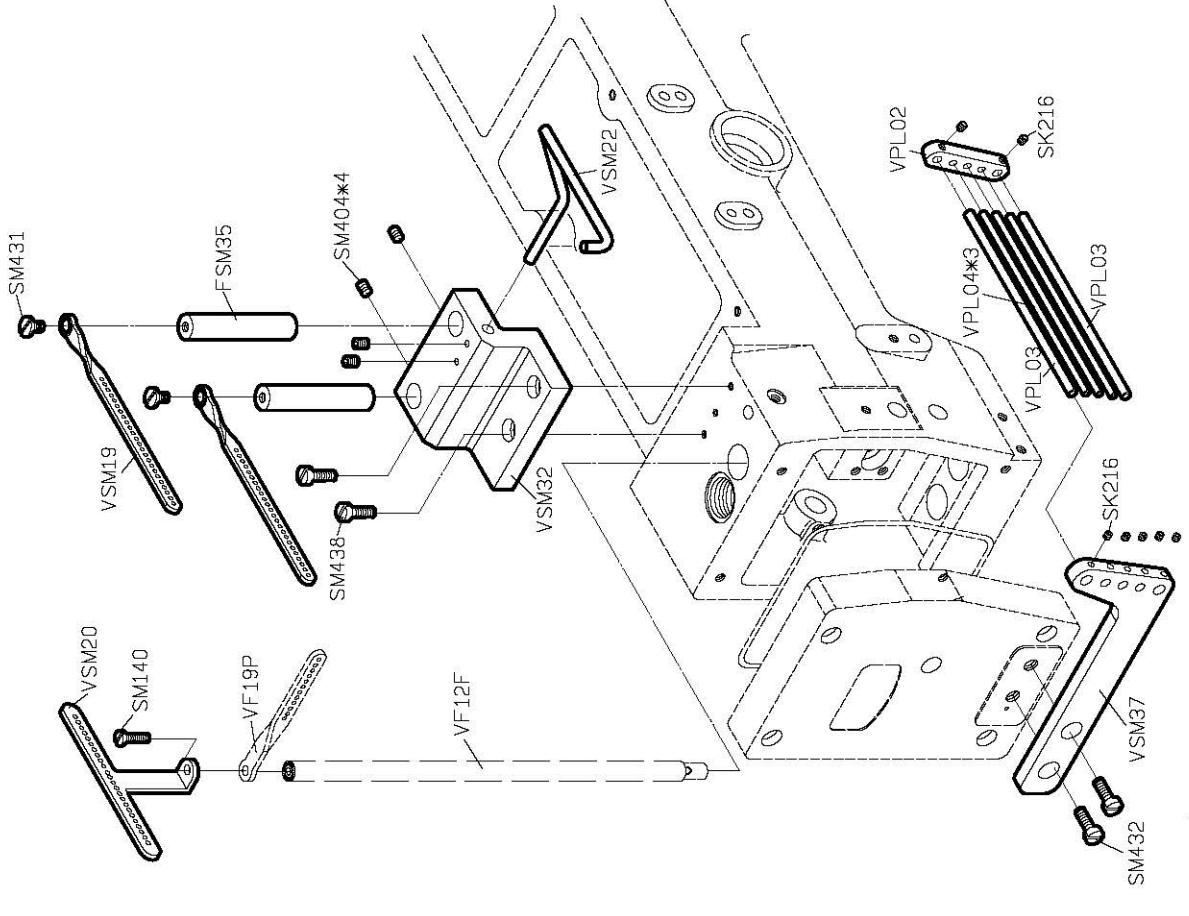


FOR VSM



FOR VSM/VSQ

PARTS LIST FOR VSM/VSQ GROUP

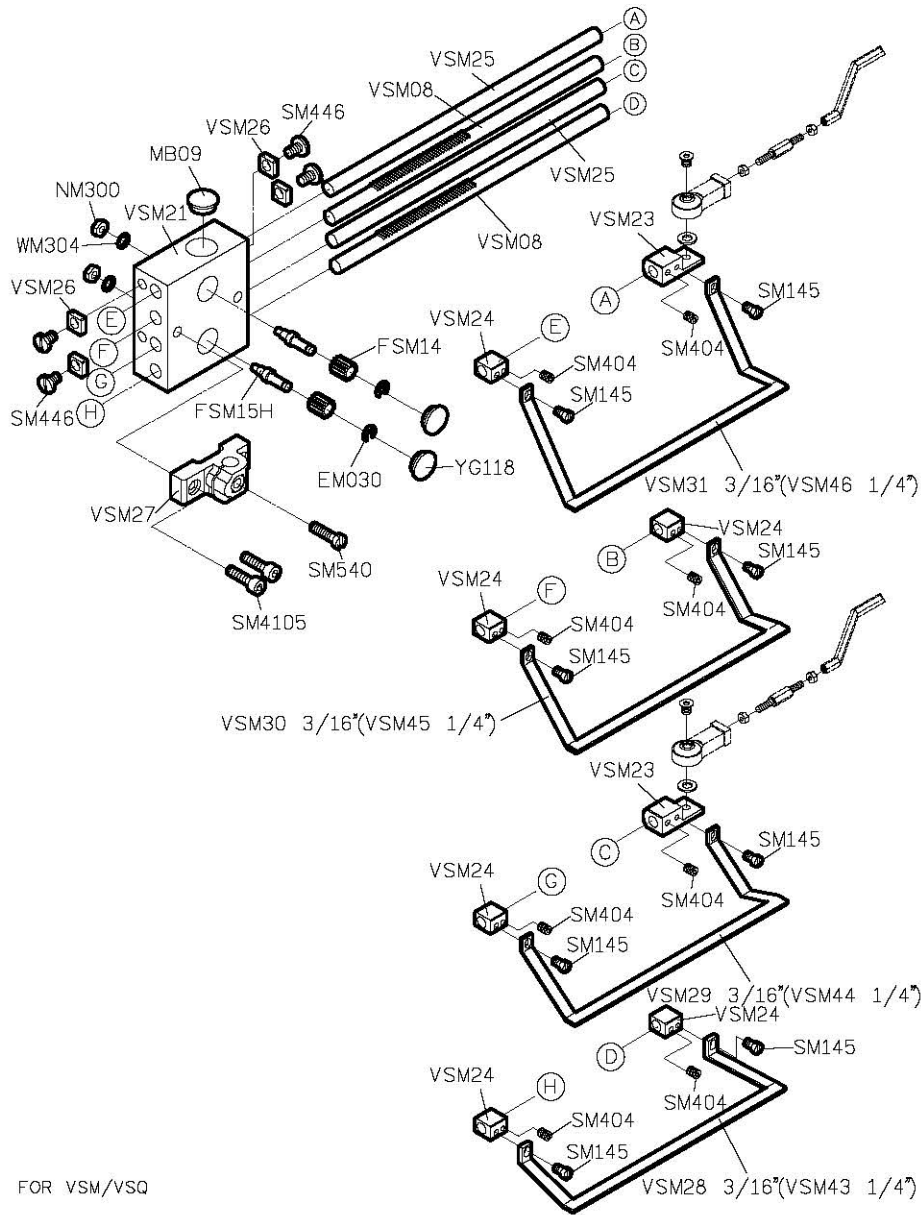


FOR VSM/VSQ

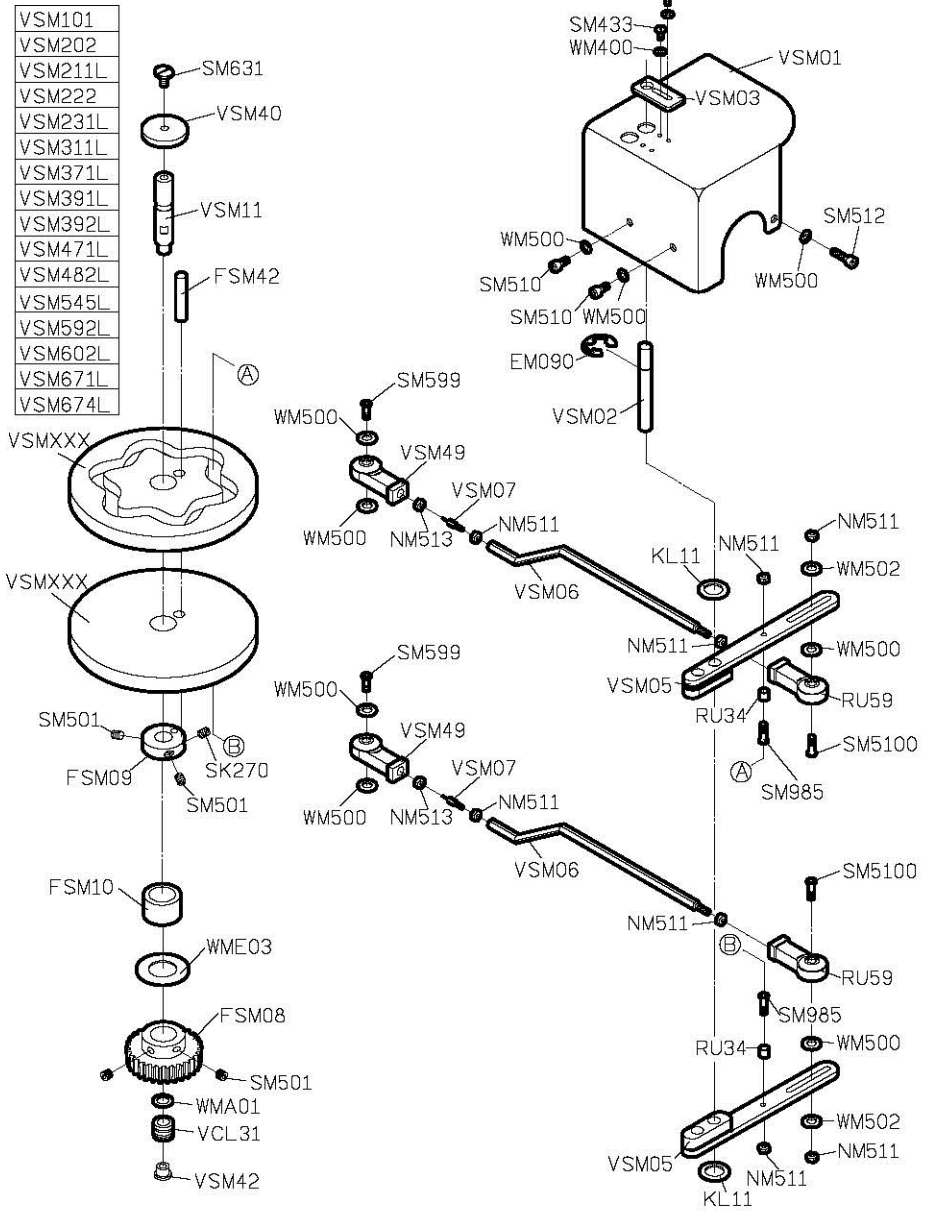
PARTS LIST FOR VSM/VSQ GROUP

PARTS LIST FOR VSM/VSQ GROUP

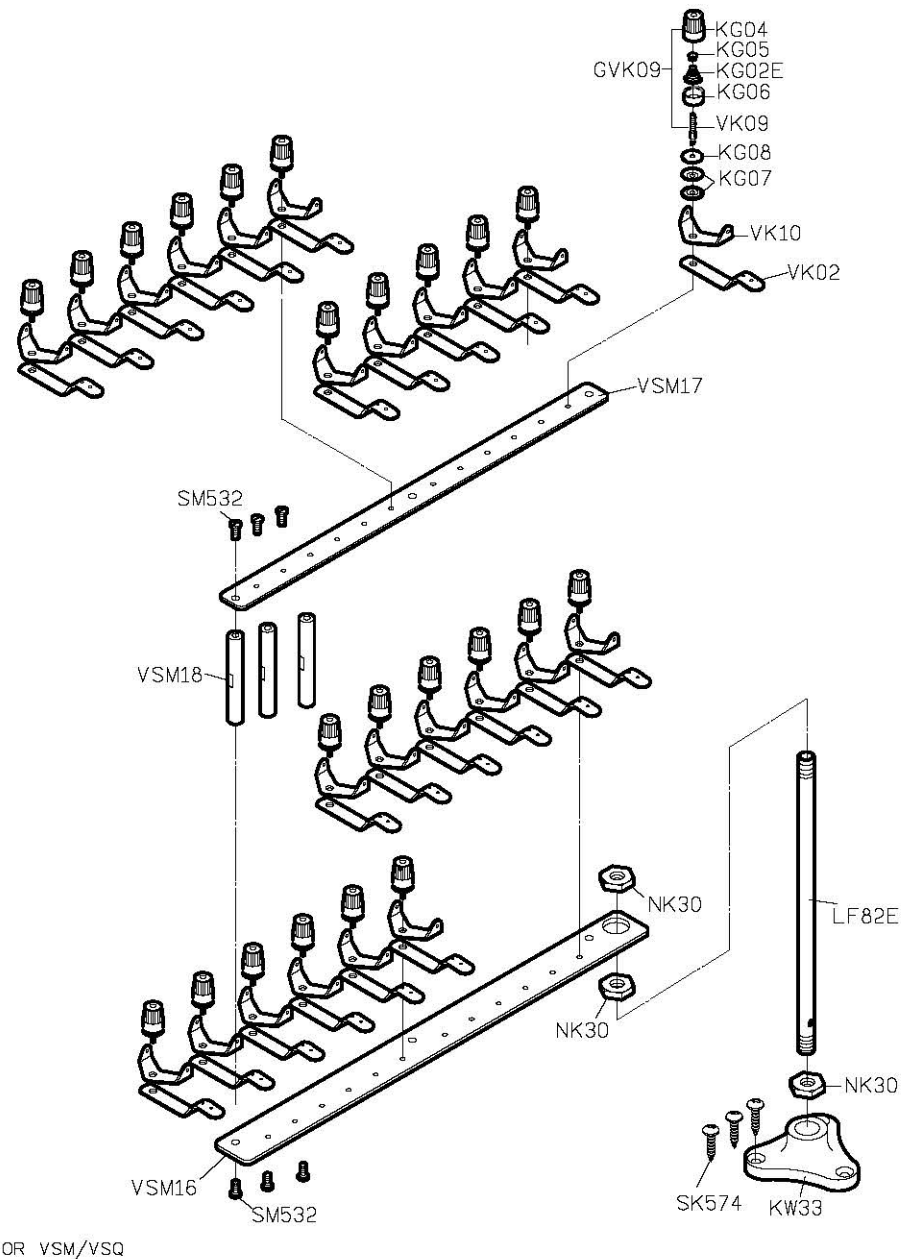
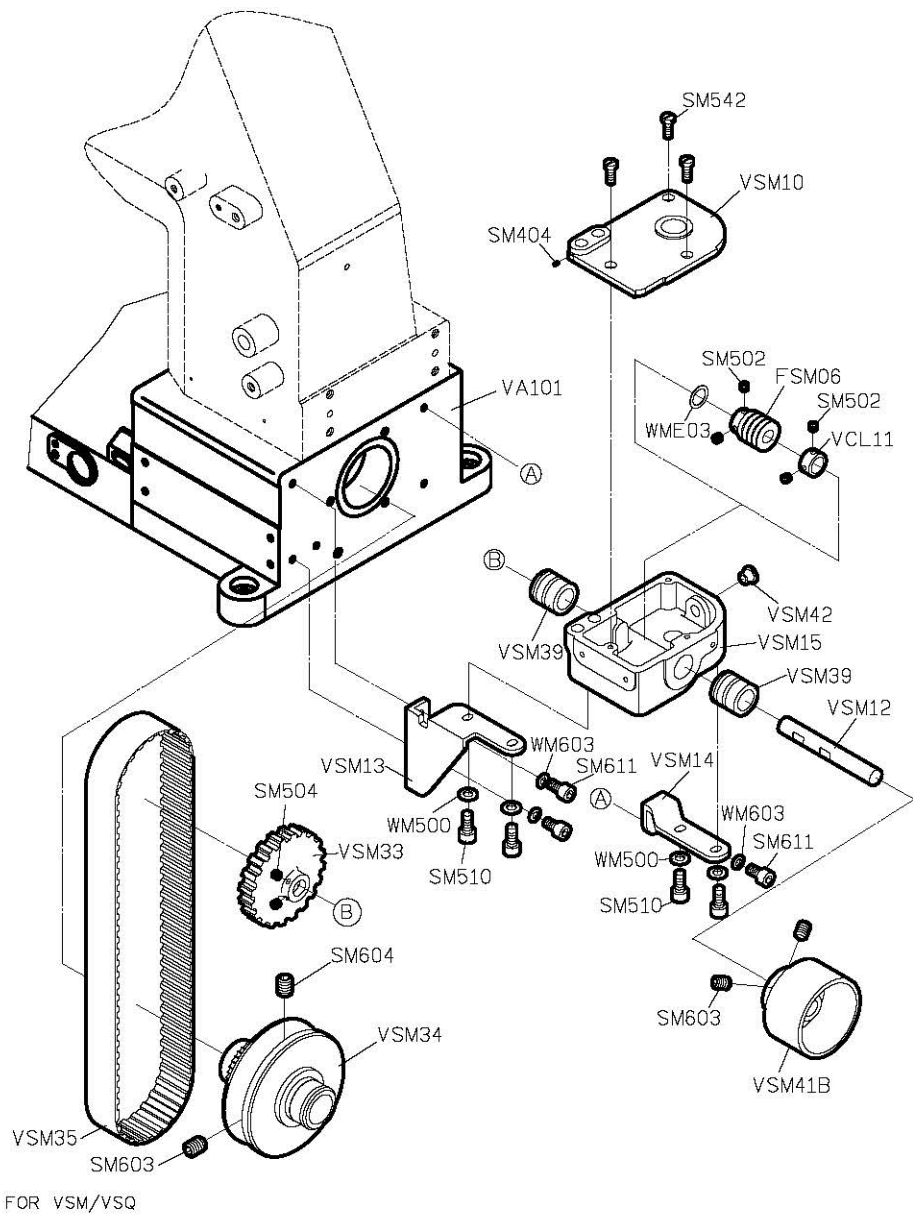
PARTS LIST FOR VSM/VSQ GROUP



FOR VSM/VSQ

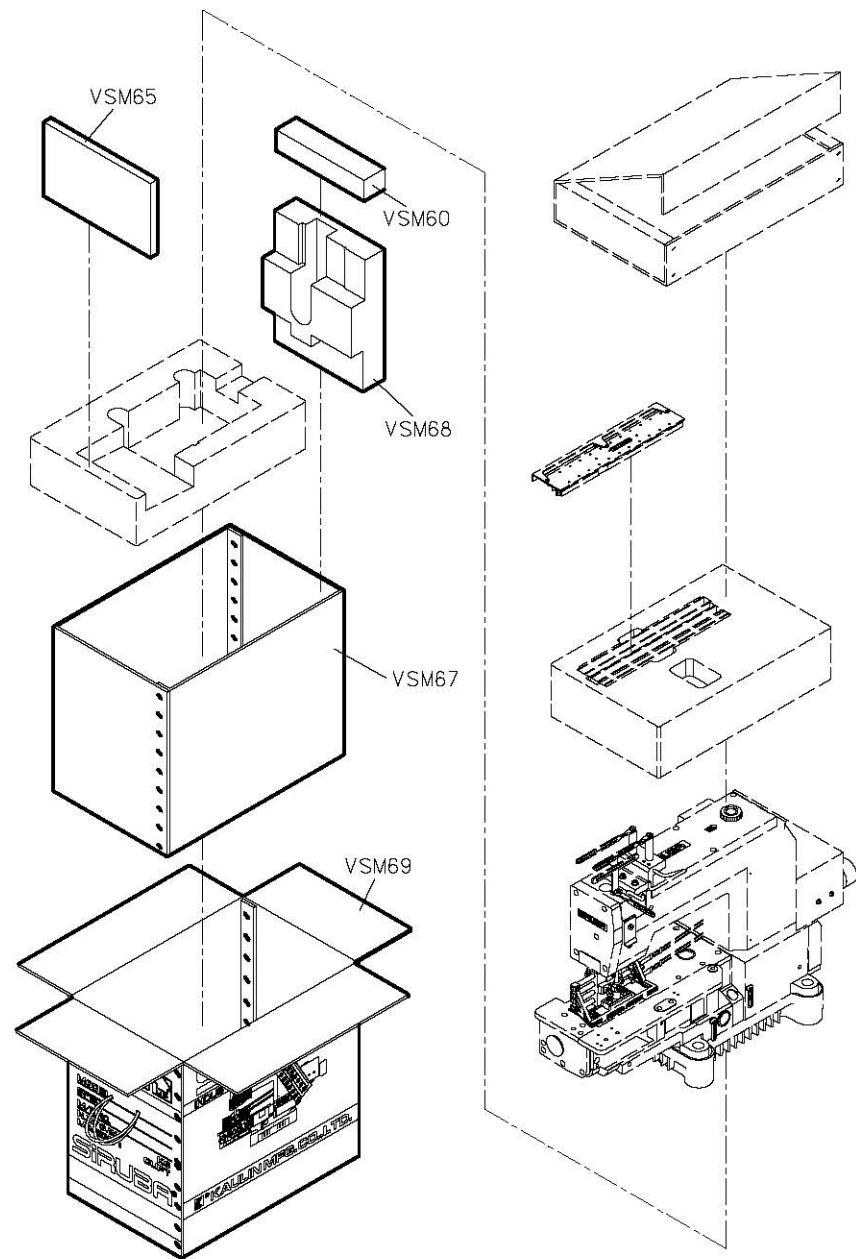
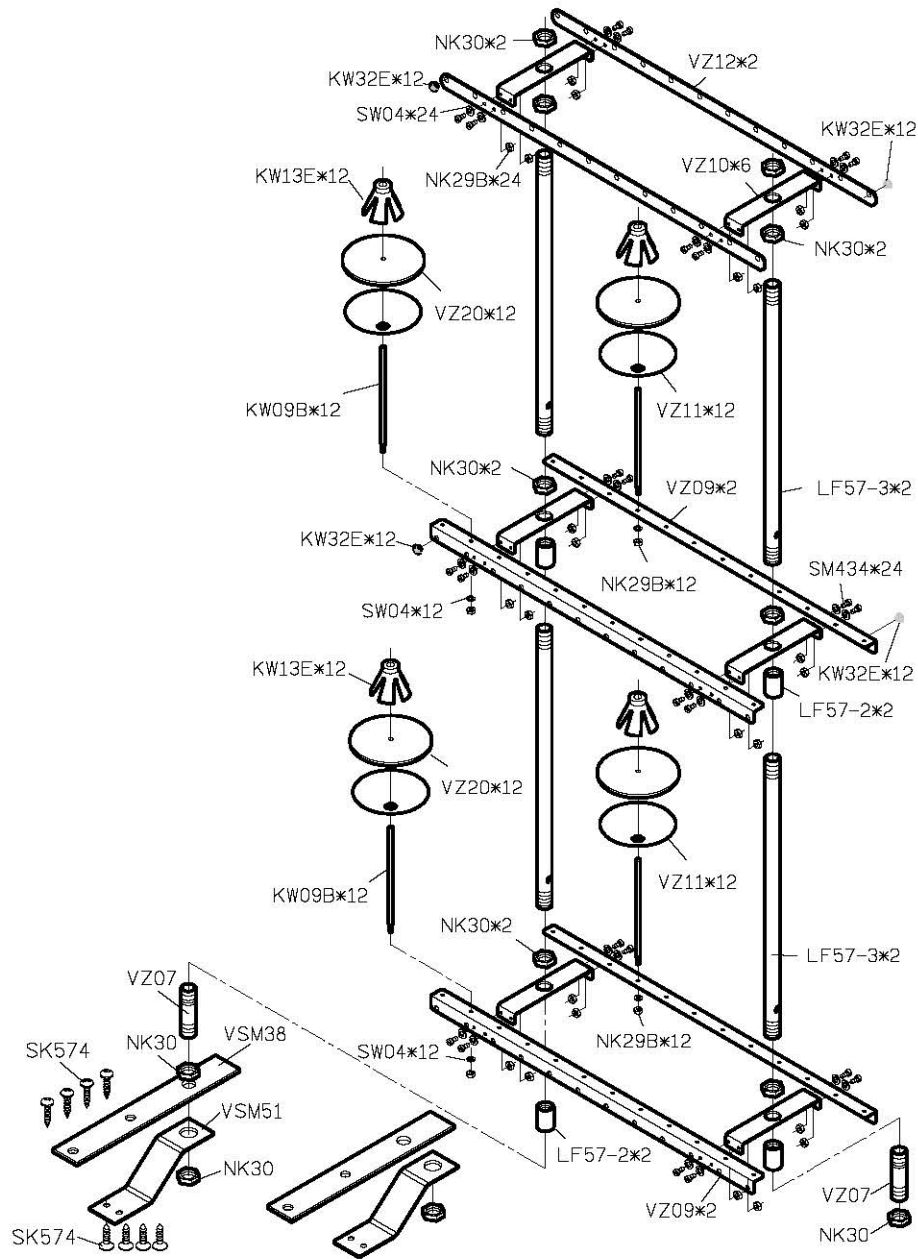


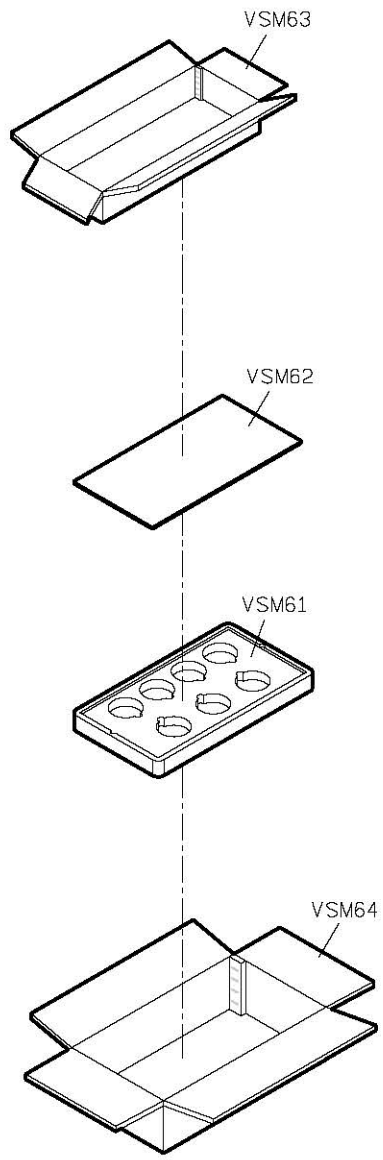
FOR VSM/VSQ



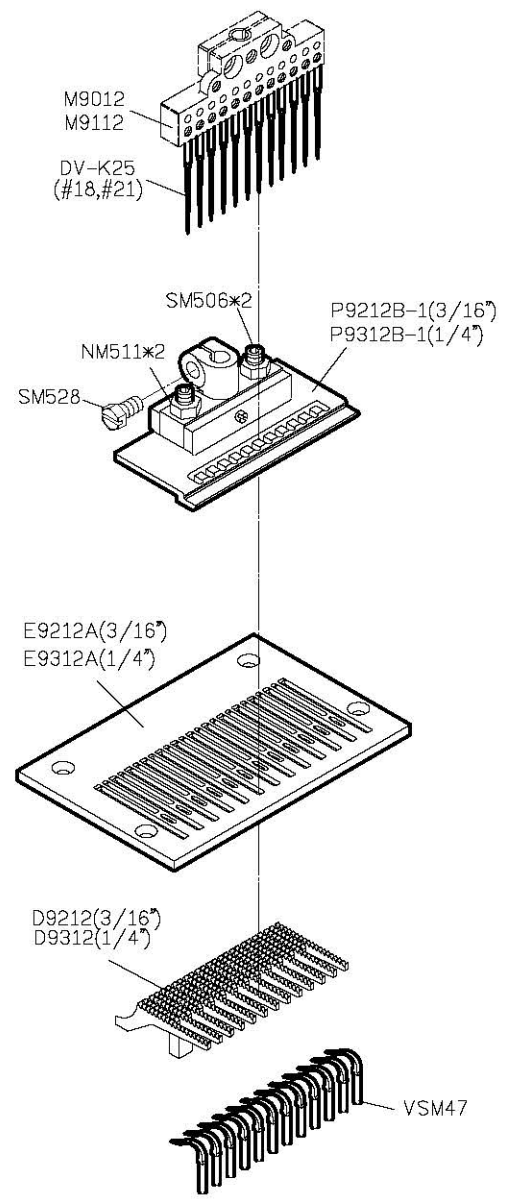
PARTS LIST FOR VSM/VSQ GROUP

PARTS LIST FOR VSM/VSQ GROUP



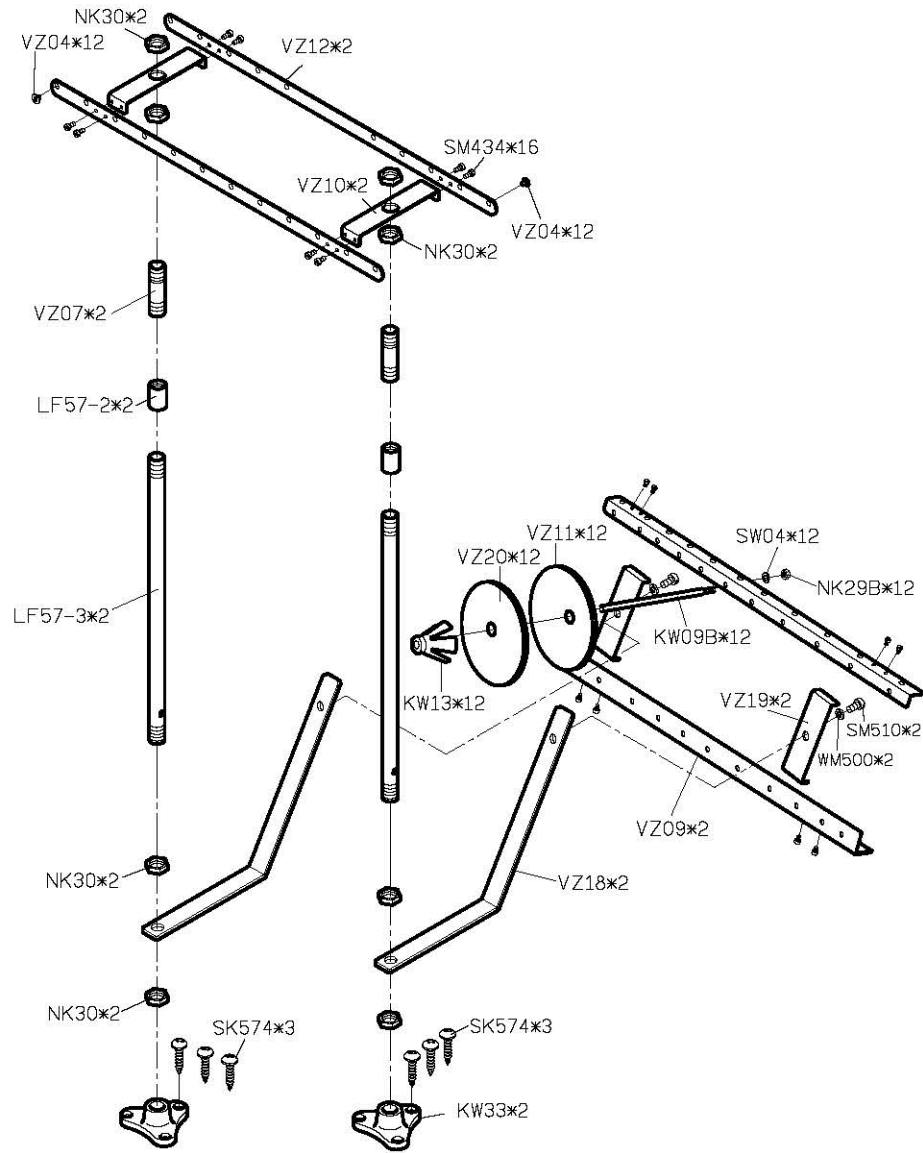


PARTS LIST FOR VSM/VSQ GROUP

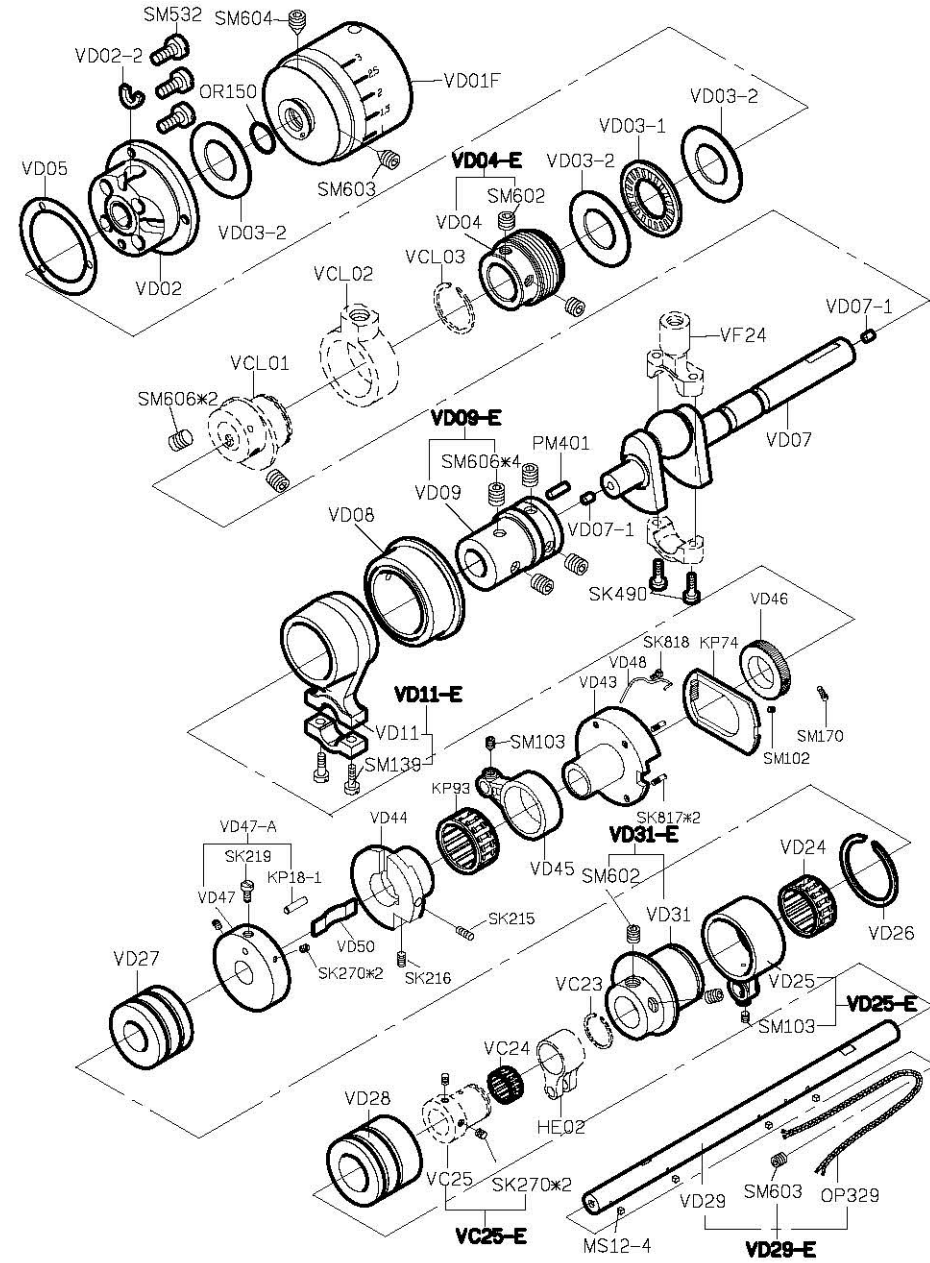


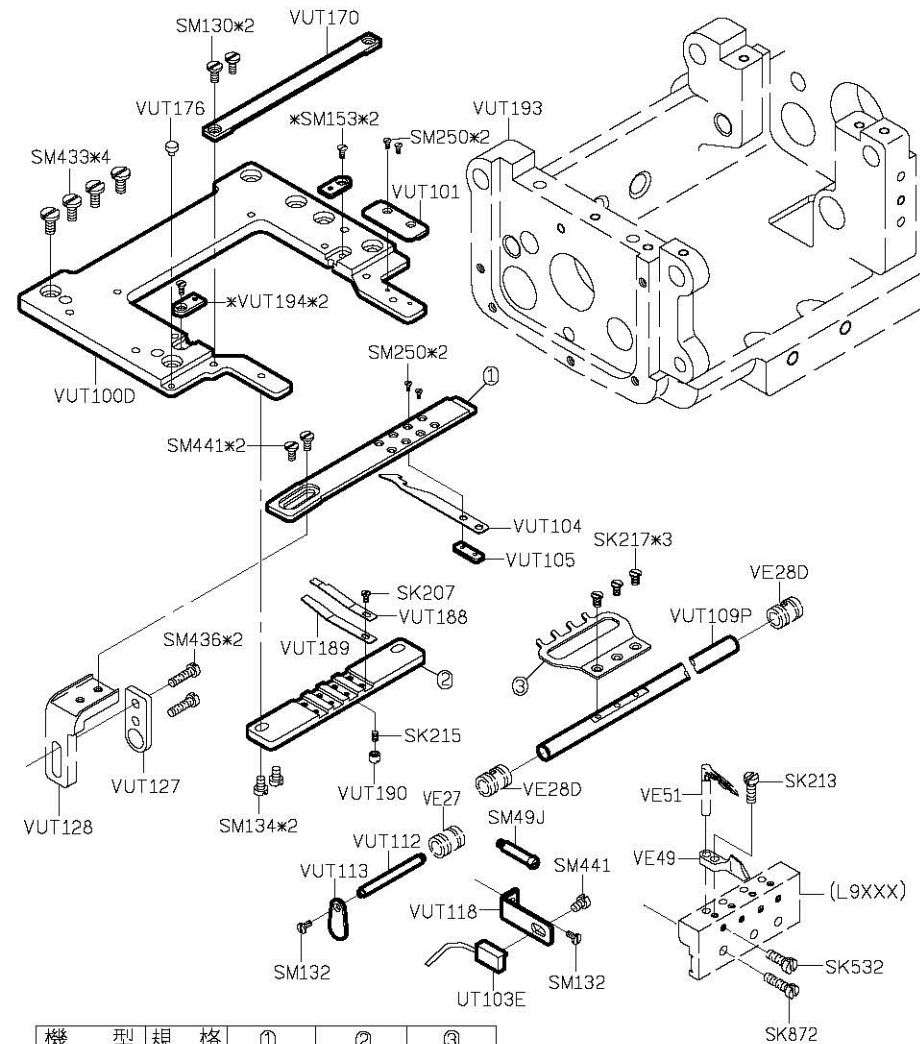
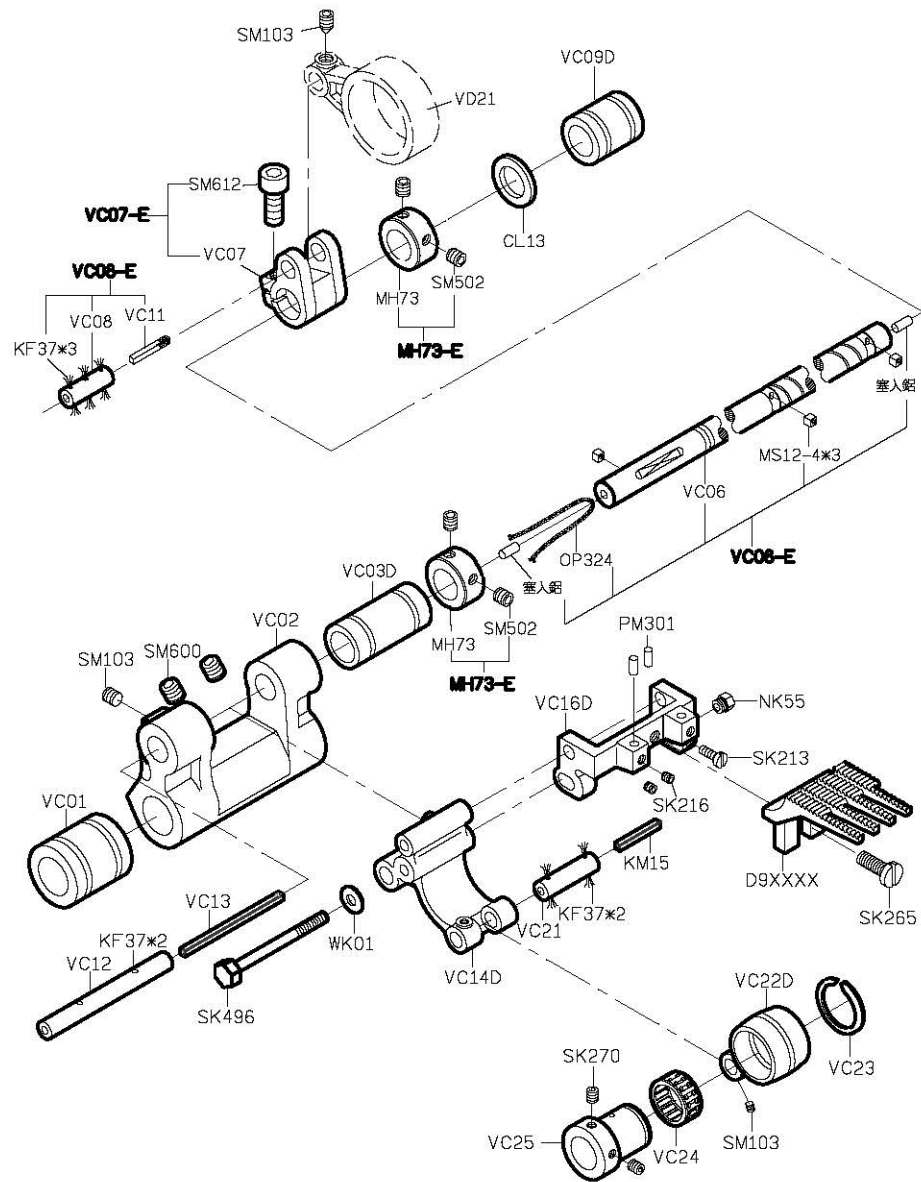
PARTS LIST FOR VSQ GROUP

PARTS LIST FOR VSQ GROUP



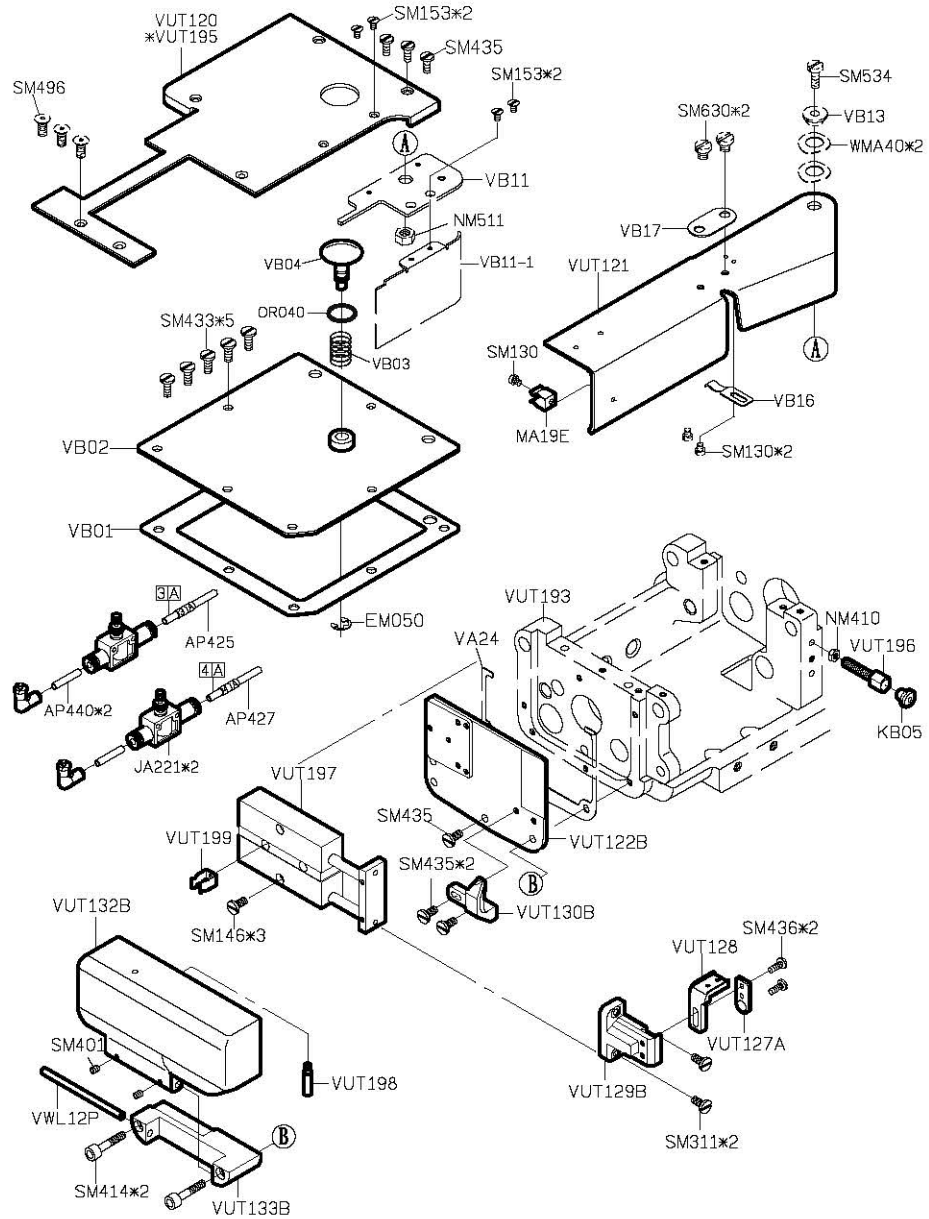
PARTS LIST FOR VUT GROUP



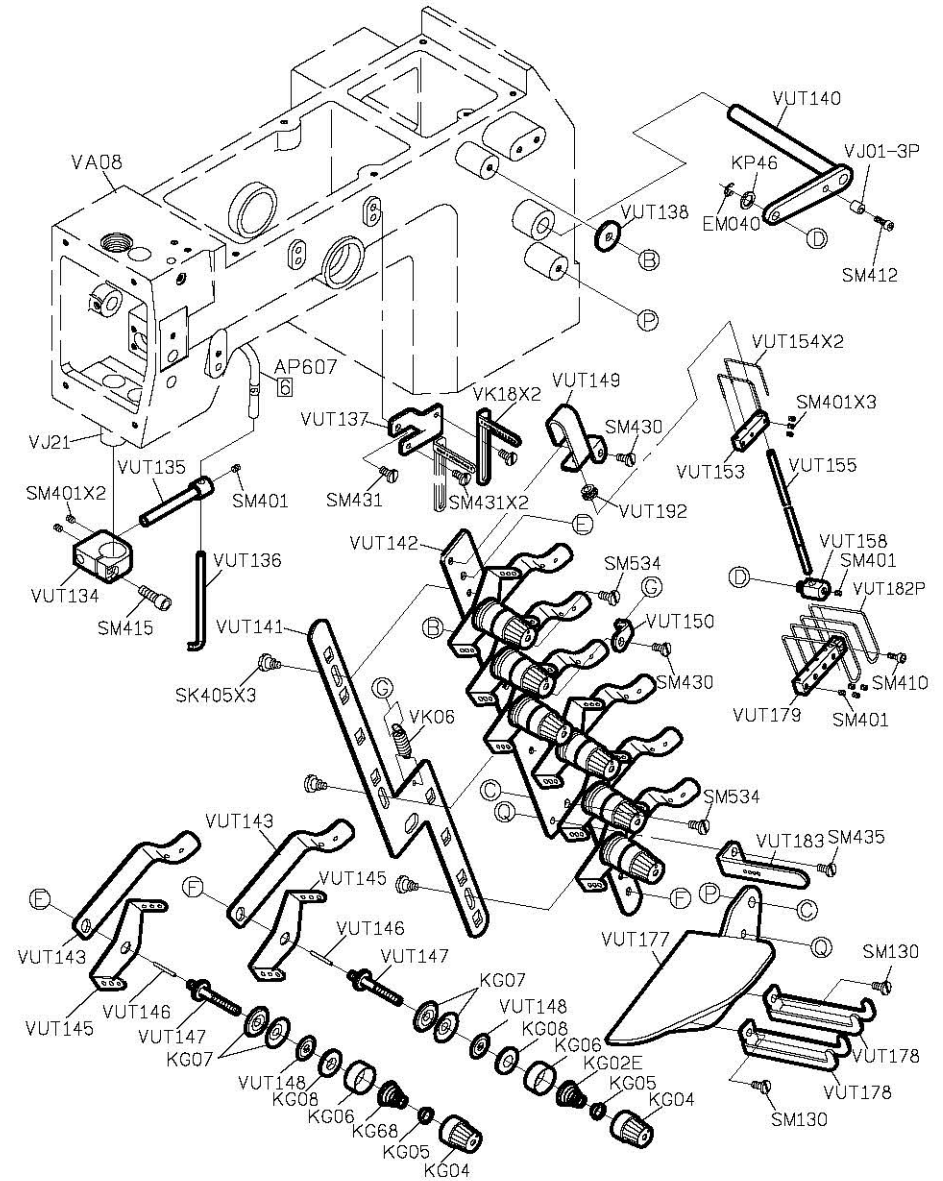


機 型	規 格	①	②	③
VC008-04	064	VUT184P	VUT187P	VUT108P
	085	VUT184Q	VUT187Q	VUT108Q
	095	VUT184R	VUT187R	VUT108R
	106	VUT184S	VUT187S	VUT108S
	127	VUT184T	VUT187T	VUT108T
VC008-12	050	VUT184U	VUT187U	VUT108U

PARTS LIST FOR VUT GROUP

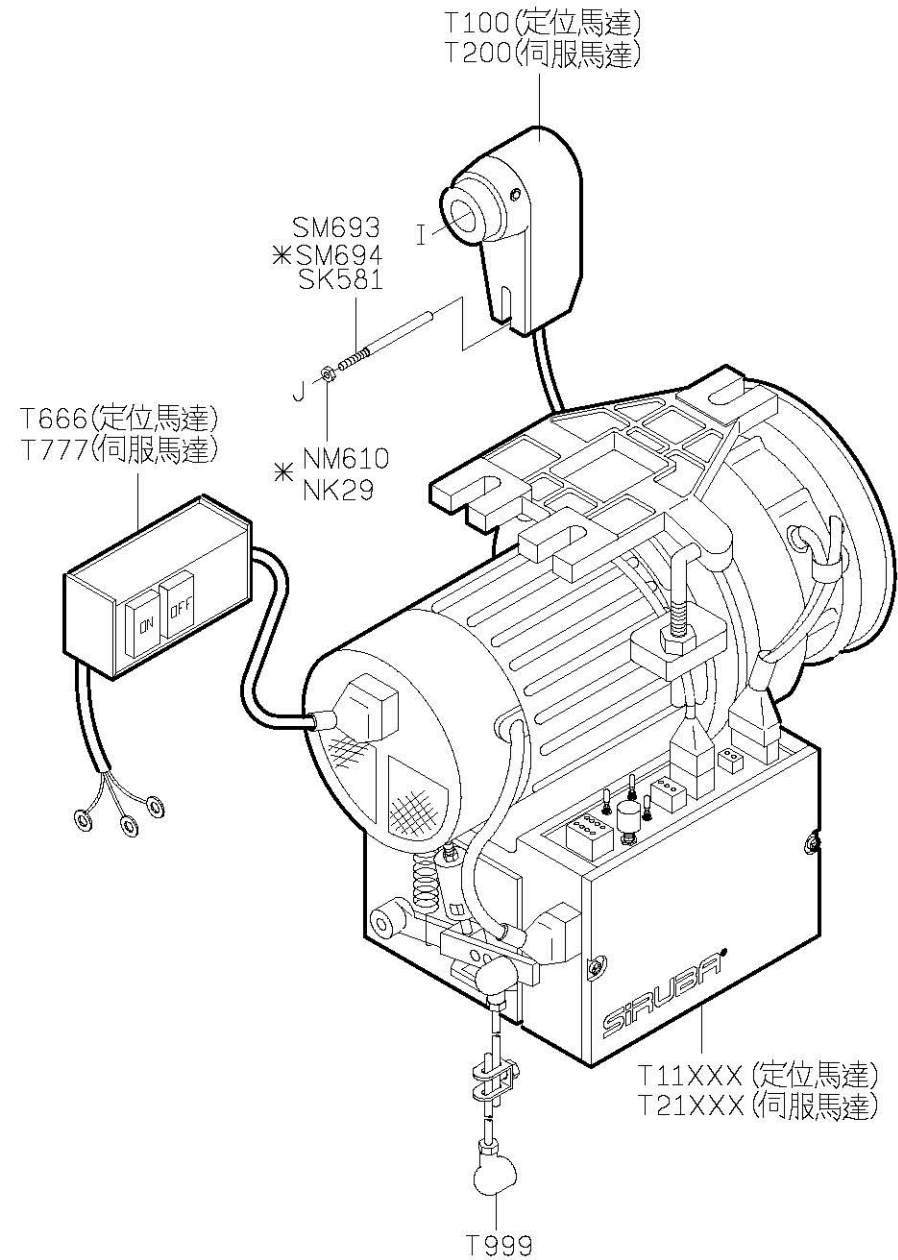
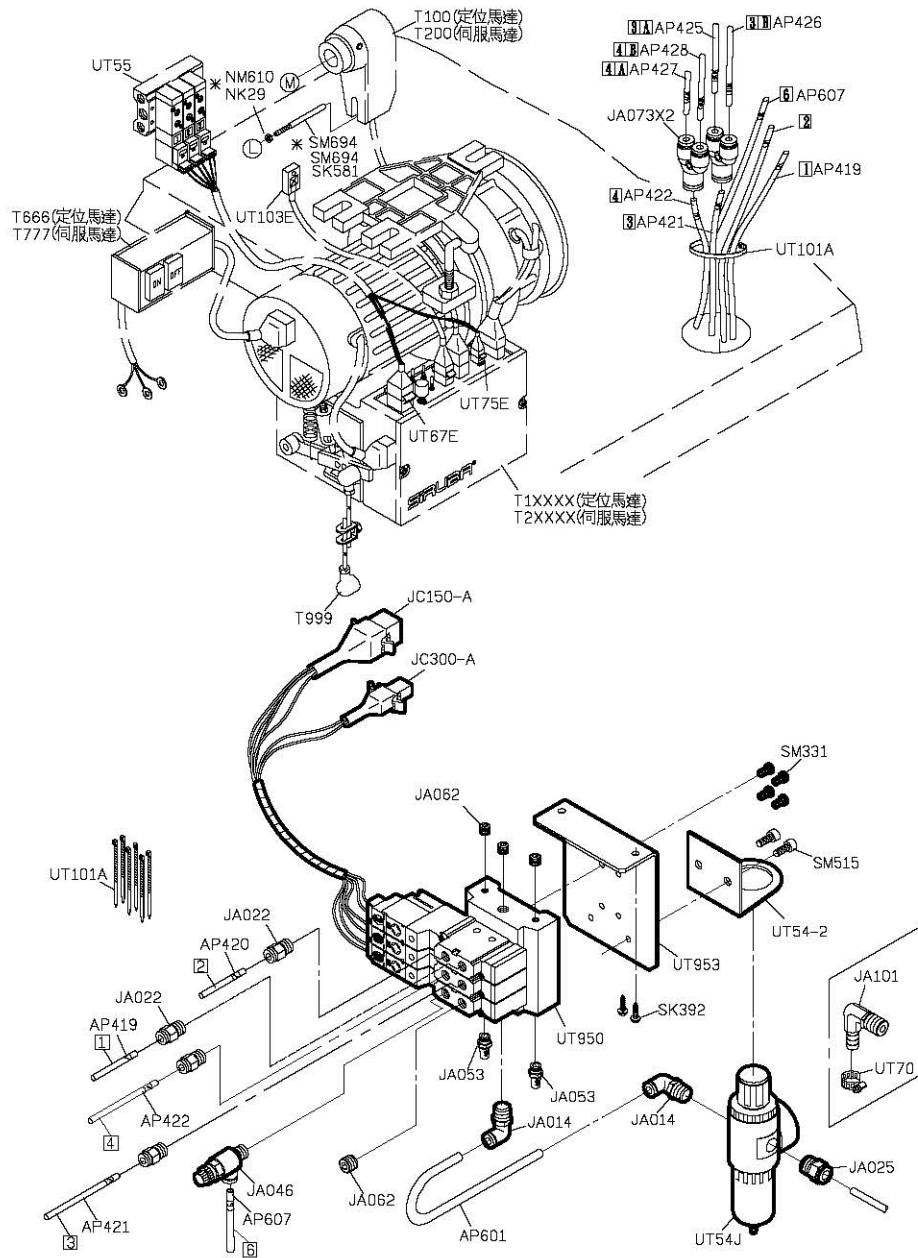


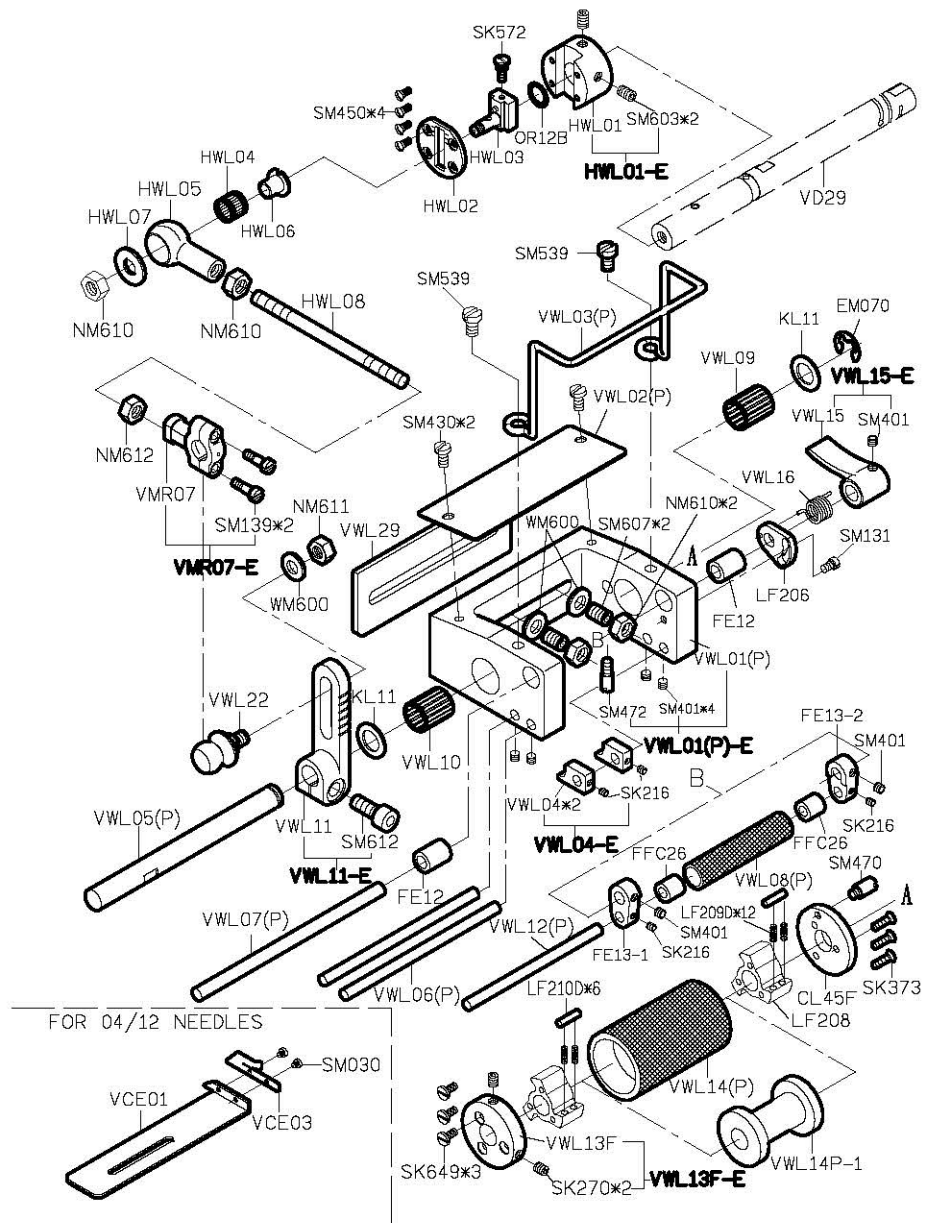
PARTS LIST FOR VUT GROUP



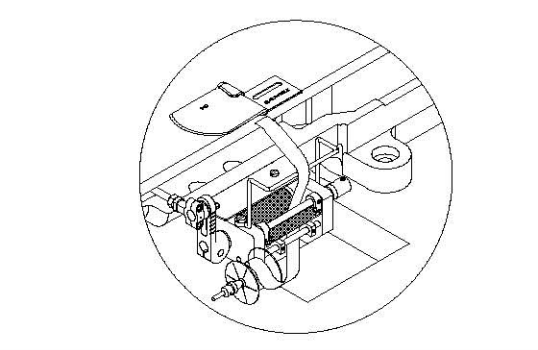
PARTS LIST FOR VUT GROUP

PARTS LIST FOR VUT GROUP

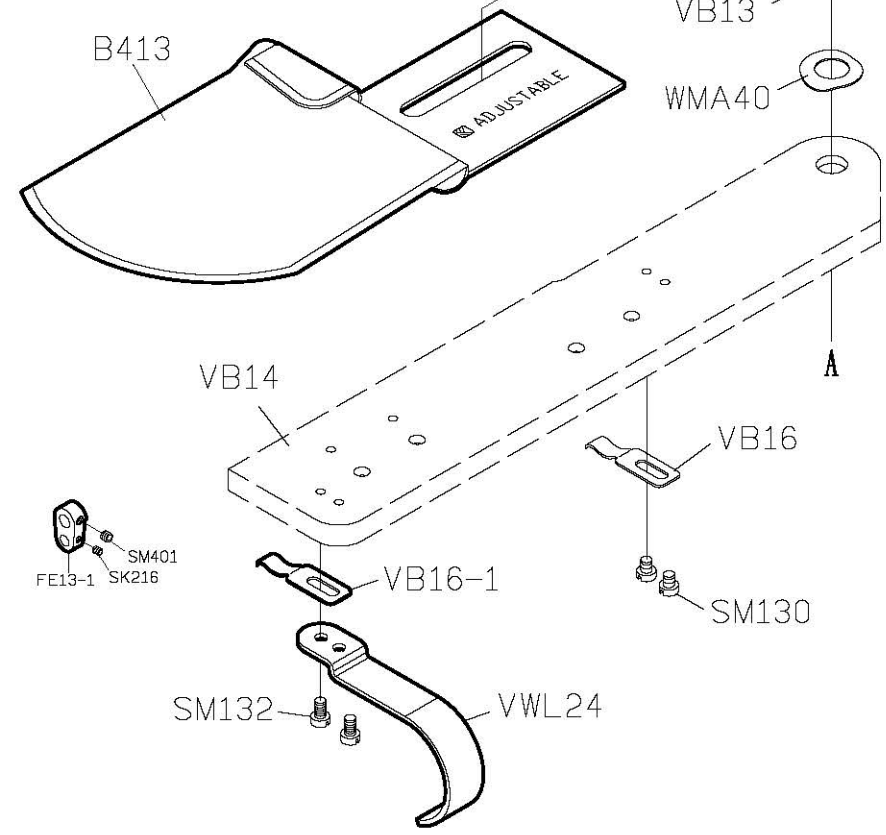




FOR 04/12 NEEDLES

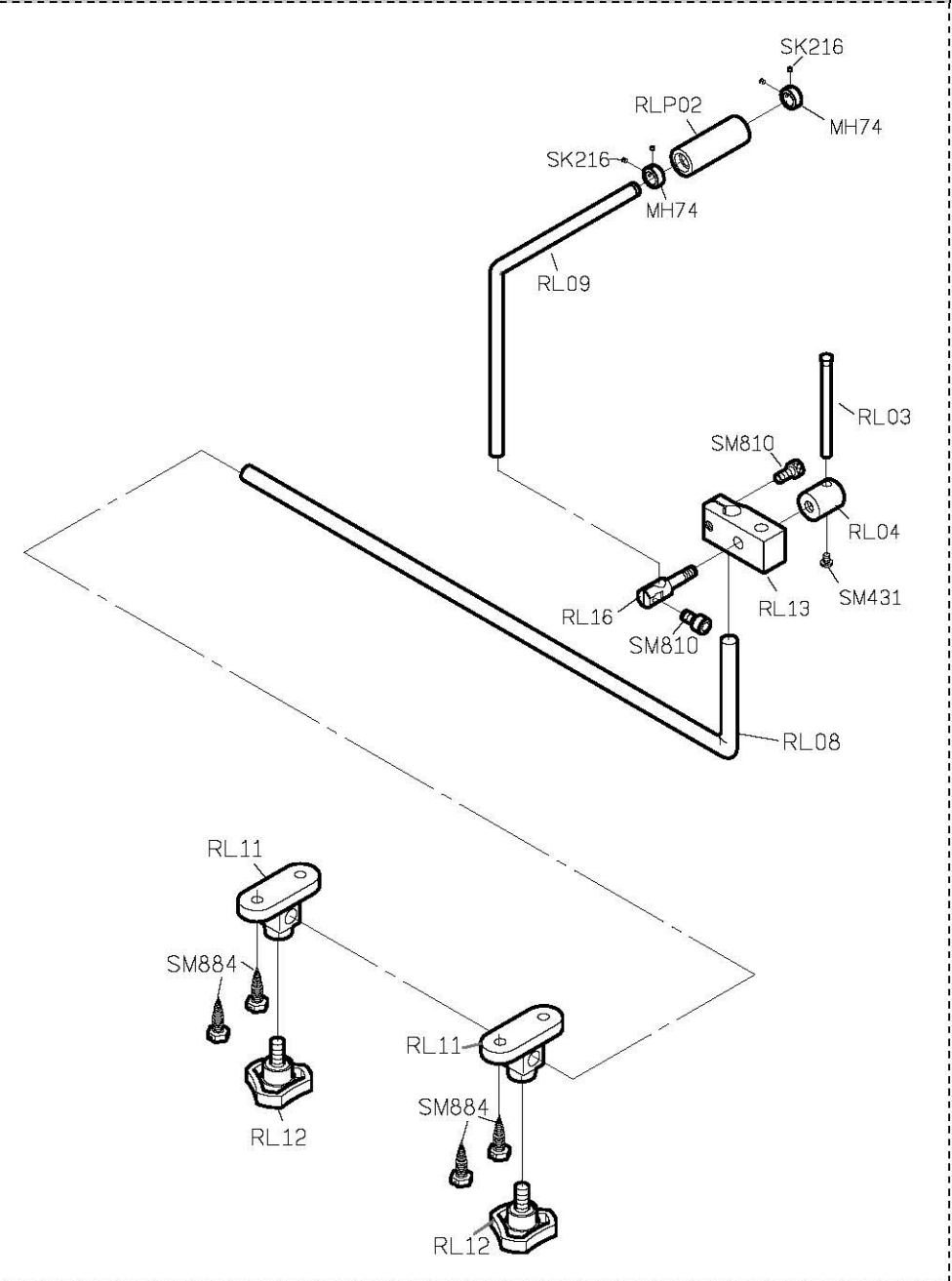
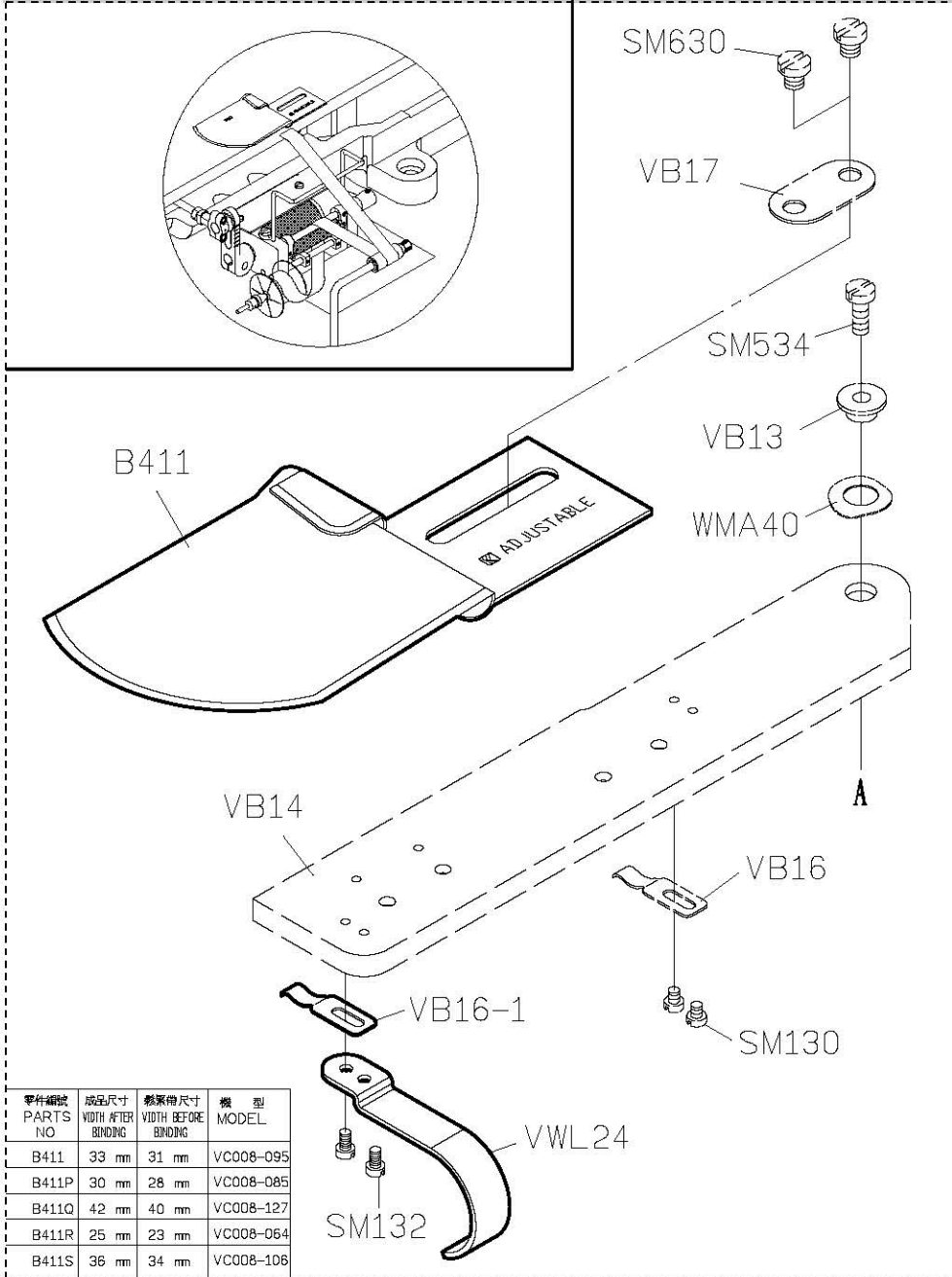


B413 : 鬆緊帶最大寬度 1 1/2"



PARTS LIST FOR VWL GROUP

PARTS LIST FOR VWL GROUP



零件編號 PARTS NO	成品尺寸 WIDTH AFTER BINDING	標準尺寸 WIDTH BEFORE BINDING	機 型 MODEL
B411	33 mm	31 mm	VC008-095
B411P	30 mm	28 mm	VC008-085
B411Q	42 mm	40 mm	VC008-127
B411R	25 mm	23 mm	VC008-064
B411S	36 mm	34 mm	VC008-106



VC008

ATTACHMENT

高林股份有限公司 KAULIN MFG. CO., LTD.